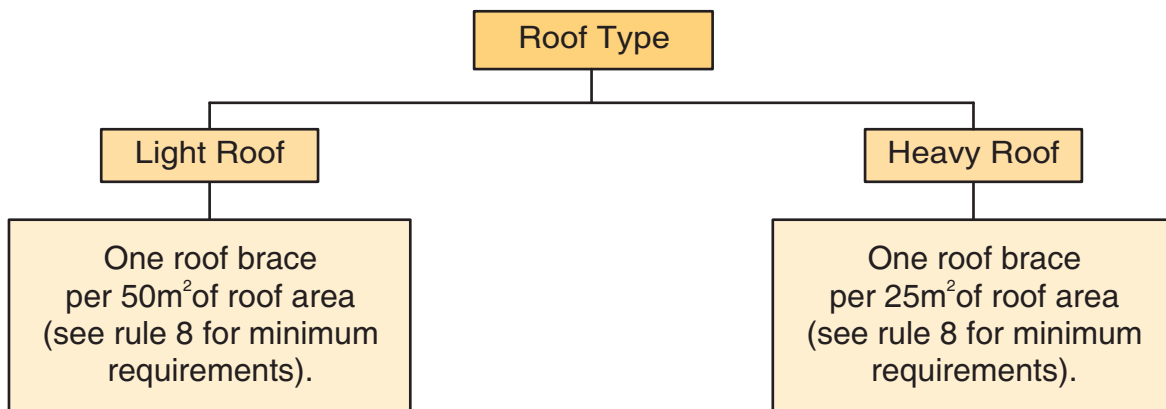


ROOF BRACING SPECIFICATION AS PER NZS 3604:2011

- ★ Covers roof bracing requirements to resist horizontal loads as set out in NZS 3604:2011 Section 10.
- ★ A definitive guide to the description and installation of Roof Plane Braces and Roof Space Braces.

Roof Bracing Requirements



Roof Bracing - Rules & Definitions

1. The bracing described in this brochure covers both framed roofs and fully trussed roofs.
2. Roof planes less than 6m² (e.g. dormers & porches) do not require bracing.
3. Roof braces can consist of either i) Roof Plane Brace or ii) Roof Space Brace or combination of the two.
4. Roof braces are not required on roofs where sarking is installed as per NZS 3604:2011 Clause 10.4.4 or where a ceiling diaphragm is installed and is attached to the rafters.
5. Roof area is the actual plan area of the roof and includes overhangs.
6. A hip or valley rafter running continuously from ridge to top plate can be classed as one roof plane brace.
7. A pair of crossed LUMBERLOK Strip Brace (preferred for ease of installation) can be classed as one roof plane brace and shall be installed as detailed in this brochure.
8. There must be at least one roof plane brace in each roof plane. Each ridge line shall have a minimum of two roof braces.
9. Every design effort should be made to distribute the roof braces as evenly as possible over the entire roof area and run alternately in opposite directions.

Roof Bracing Options



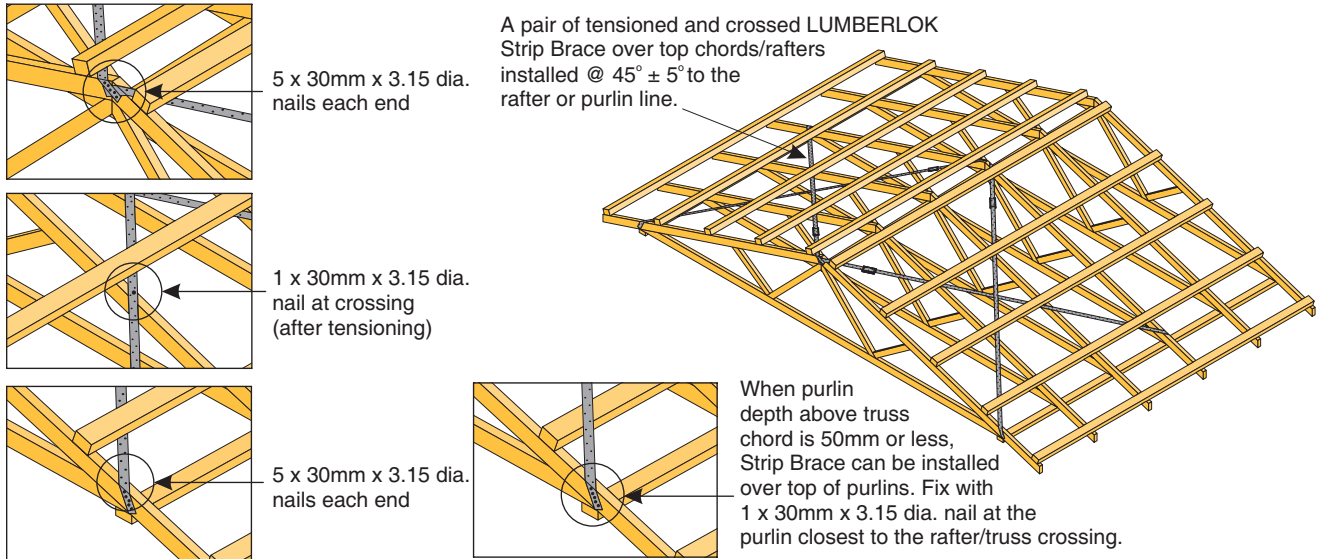
i) ROOF PLANE BRACE

Each roof plane brace can be:

- A hip or valley rafter running continuously from ridge to the top plate in accordance with NZS 3604:2011 Clauses 10.2.1.3.2 or 10.2.1.3.3

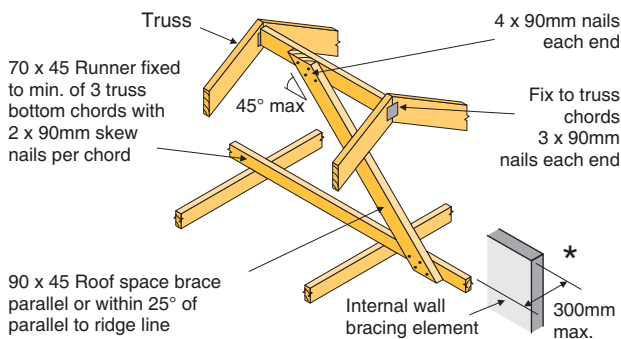
OR

- A pair of tensioned and crossed LUMBERLOK Strip Brace running continuously from ridge to top plate installed as detailed below.

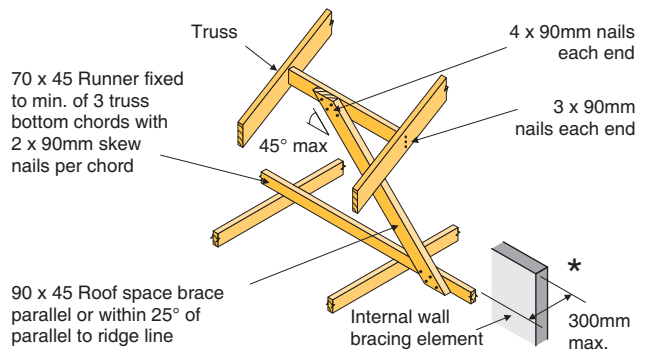


ii) ROOF SPACE BRACE

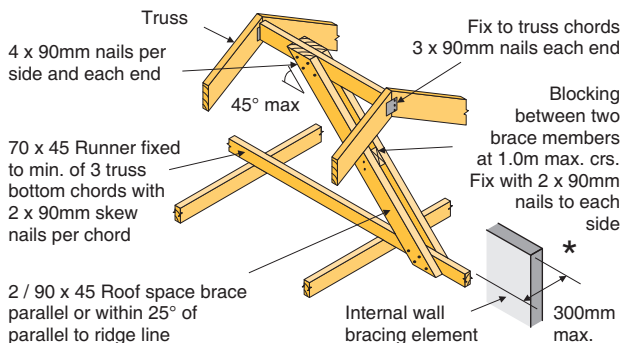
(A) Less than 2m long.



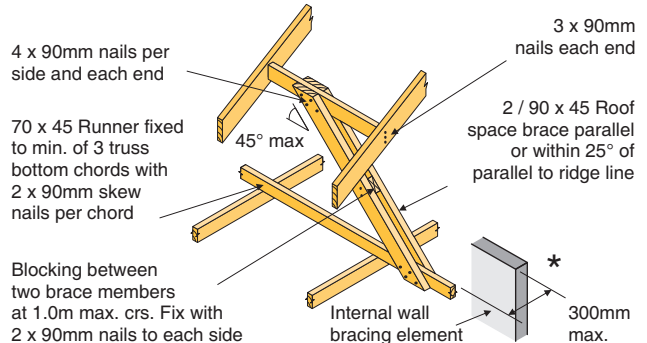
(C) Not directly under the ridge - less than 2m long.



(B) More than 2m long (Max. 4.8m).



(D) Not directly under the ridge - more than 2m long.



* Not required when a ceiling diaphragm complying with Clause 13.5 of NZS 3604:2011 is used.



MiTek New Zealand Limited

AUCKLAND
PO Box 58-014, Botany 2163
Phone: 09-274 7109
Fax: 09-274 7100

CHRISTCHURCH
PO Box 8387, Riccarton 8440
Phone: 03-348 8691
Fax: 03-348 0314

www.mitek.nz.co.nz

© Copyright 2011 MiTek Holdings, Inc.
All rights reserved.

GANG-NAIL® LUMBERLOK® BOWMAC®