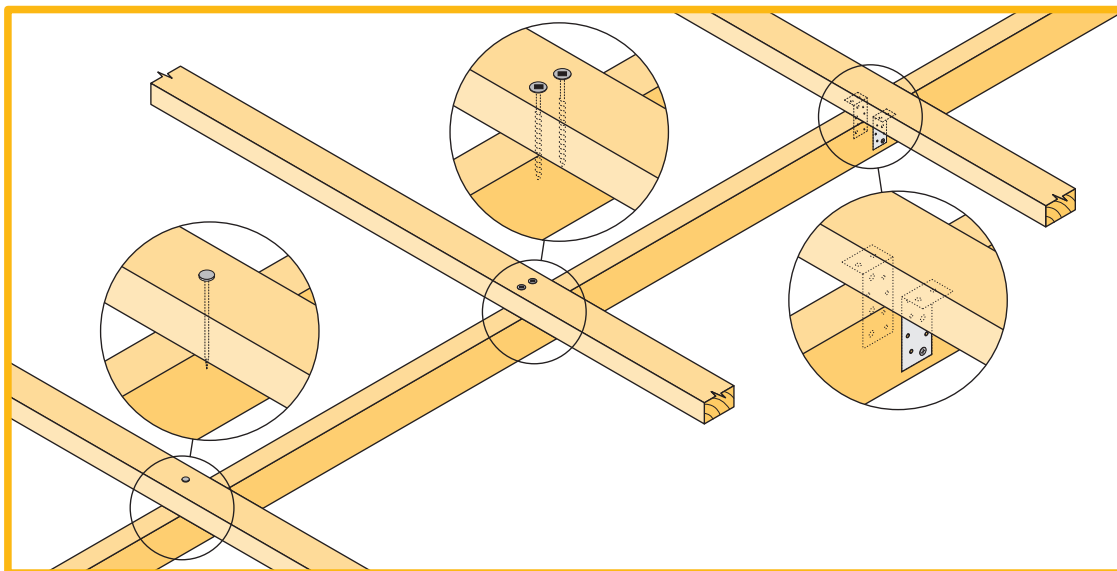




PURLIN & BATTEN FIXING CHART ALTERNATIVE SOLUTION TO NZS 3604:2011 TABLES 10.10 & 10.12

NOTE:

- ★ All purlin and batten sizes are as per NZS 3604:2011.
- ★ All fixings assume that the purlin and battens are installed on their flat over the top of the rafter or truss.
- ★ The minimum fixing requirements apply to all purlin locations within the roof area.
- ★ The LUMBERLOK BLUE SCREW where specified requires a minimum of 30mm penetration into rafter or truss i.e. it is suitable for rough sawn timber up to 50mm thick at 18% moisture content.



SELECTION CHART FIXING OPTIONS (minimum fixing requirements)

| ROOF WEIGHT | MAX. PURLIN SPAN (mm) | MAX. PURLIN CRS. (mm) | WIND ZONE | | | | |
|-----------------------------------|-----------------------|-----------------------|-----------|---|---|----|----|
| | | | L | M | H | VH | EH |
| HEAVY ROOF Tile Battens | 900 | 370 | A | A | A | A | A |
| LIGHT ROOF Tile Battens | 900 | 370 | A | A | B | C | C |
| | 1200 | 370 | A | B | C | C | C |
| LIGHT ROOF Purlins | 900 | 900 | C | C | C | C | D |
| | 1200 | 900 | C | C | C | D | D |
| | 1200 | 1200 | C | C | D | E | E |

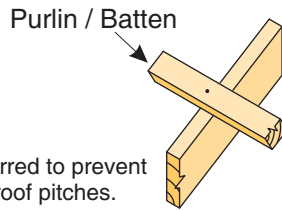
| | |
|---|---|
| Wind Zone: As per NZS 3604:2011 | L = Low Wind M = Medium Wind H = High Wind VH = Very High Wind EH = Extra High Wind |
|---|---|

STANDARD FIXING OPTIONS

FIXING TYPE A
0.55kN

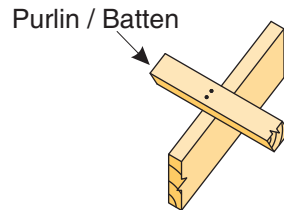
1 NAIL

Note: Two nails maybe preferred to prevent batten rolling over with high roof pitches.



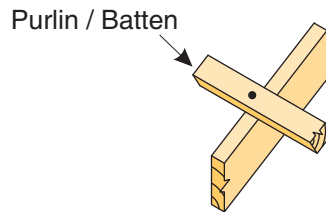
FIXING TYPE B
0.8kN

2 NAILS



FIXING TYPE C
2.4kN

1 BLUE SCREW

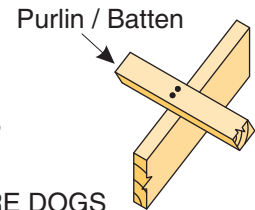


FIXING TYPE D
3.45kN

2 BLUE SCREWS

OR

2 SKEW NAILS plus 2 WIRE DOGS
(for purlin on edge)

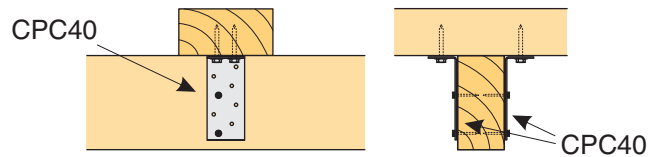


FIXING TYPE E
5.5kN

2 NAILS plus 1 CT200

OR

1 PAIR of CPC40



FIXING DEFINITIONS

NAIL = Either 90mm x 3.15 dia. power-driven nail or 100mm x 3.75 dia. hand-driven nail

BLUE SCREW = 80mm x 10 gauge LUMBERLOK BLUE SCREW

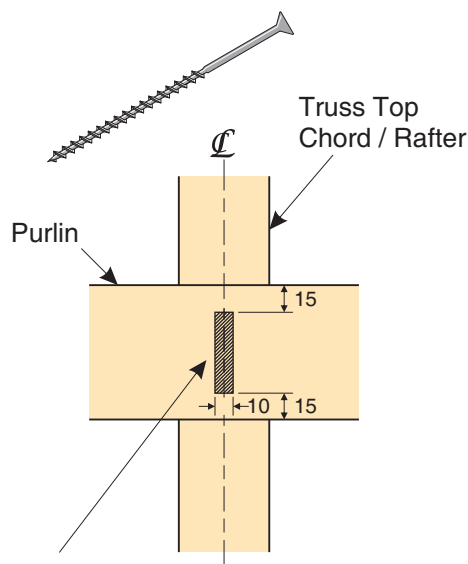
WIRE DOG = LUMBERLOK WIRE DOG either LH or RH

CT200 = LUMBERLOK Ceiling Tie CT200 bend over purlin, 4 x LUMBERLOK Product Nails 30mm x 3.15 dia. each end

CPC40 = LUMBERLOK CPC40 with 2 x Type 17-14g x 35mm Hex Head Screws per flange

FIXING TOLERANCES

LUMBERLOK BLUE SCREW



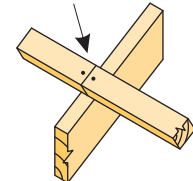
NOTE:

Locate fixings within the shaded area. Care to be taken to avoid over tightening of screws.

PURLIN / BATTEN SPLICE FIXING OPTIONS

FIXING TYPE A & B OVER PURLIN SPLICE

1 nail in each



NOTE:

Skew nail when fixing to 35mm rafter or truss

FIXING TYPE C, D or E OVER PURLIN SPLICE

90 x 35mm block fixed to chord or rafter with 4 x 75mm nails

• TYPE C
1 SCREW
to each purlin

• TYPE D & E
1 NAIL plus 1 SCREW to each purlin

