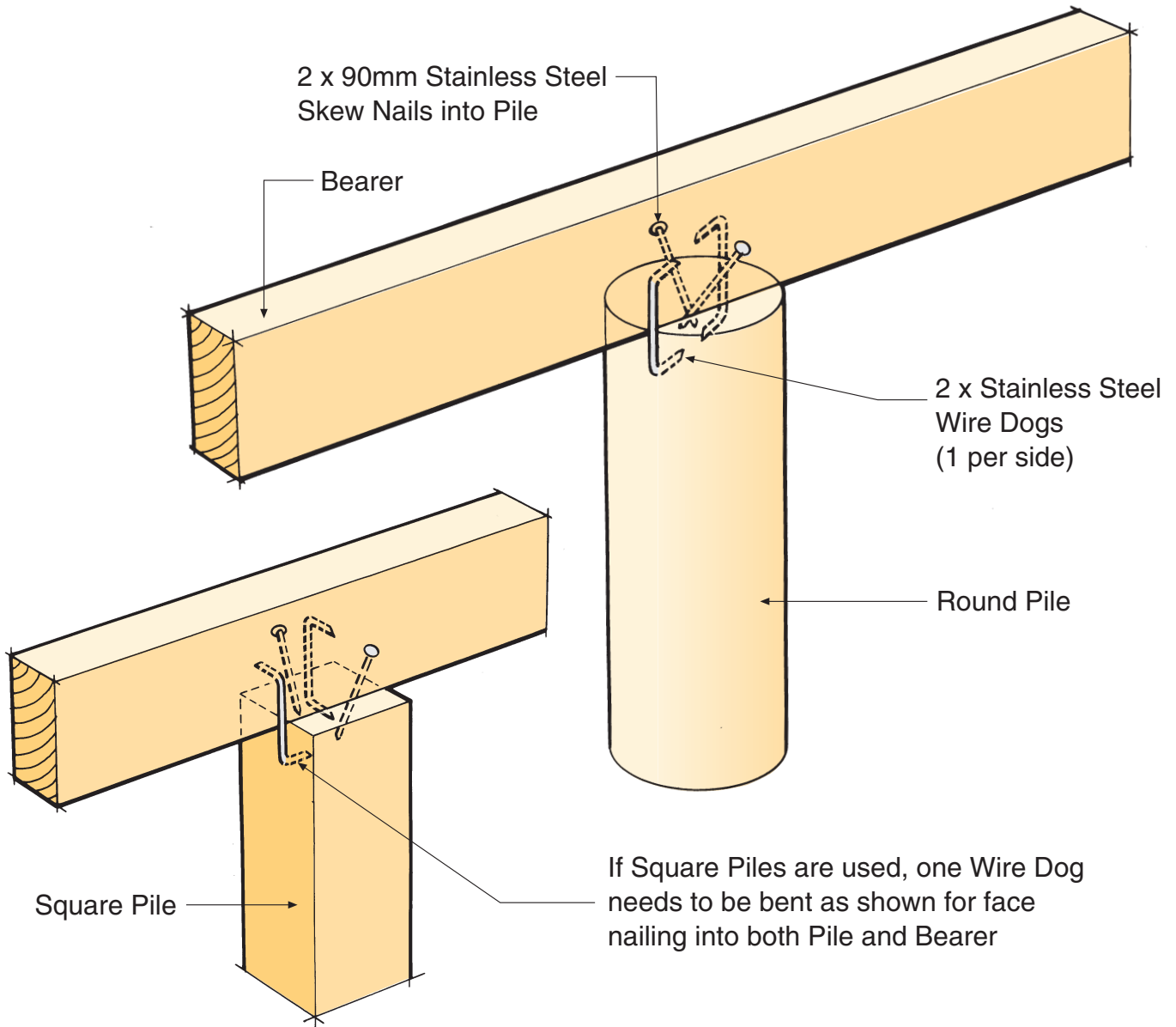




ORDINARY PILE FIXING

- ★ Complies with NZS 3604:2011
- ★ All Fixings Stainless Steel
- ★ For all Ordinary Piles (Refer Figure 6.3 NZS 3604:2011)



Code: OPF
Pack Contains: 20 x Stainless Steel Wire Dog Staples
20 x Stainless Steel Nails 90mm x 4 dia.

Available from leading Builders Supply Merchants



MiTek New Zealand Limited

AUCKLAND
 PO Box 58-014, Botany 2163
 Phone: 09-274 7109
 Fax: 09-274 7100

CHRISTCHURCH
 PO Box 8387, Riccarton 8440
 Phone: 03-348 8691
 Fax: 03-348 0314

www.mitek.nz.co.nz

GANG-NAIL® LUMBERLOK® BOWMAC®

