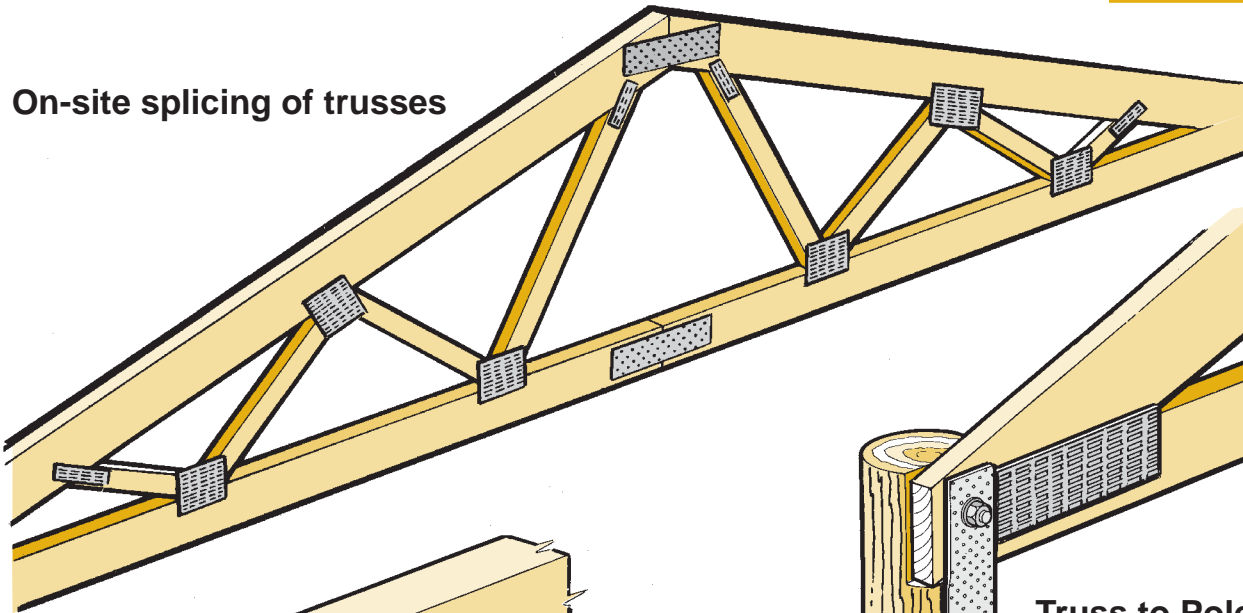




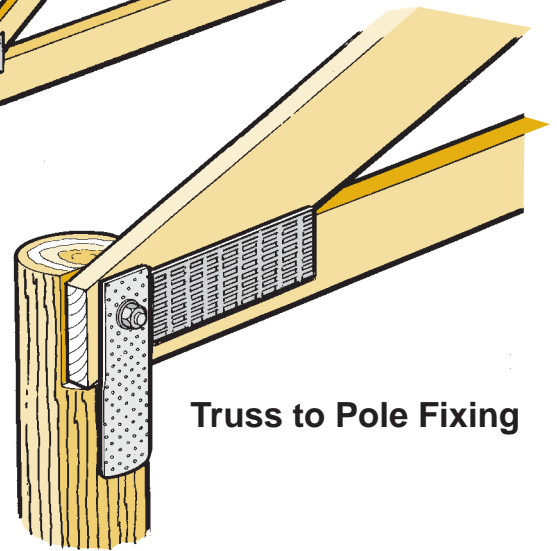
NAILON PLATES

USE STAINLESS STEEL
OPTION IN
EXTERIOR SITUATIONS

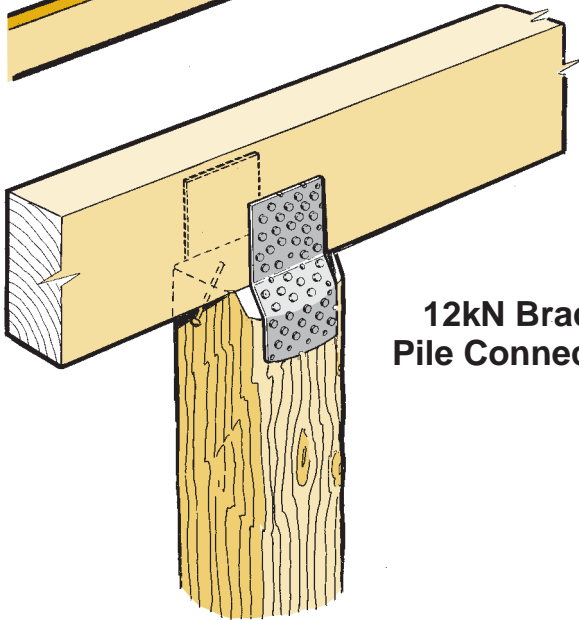
On-site splicing of trusses



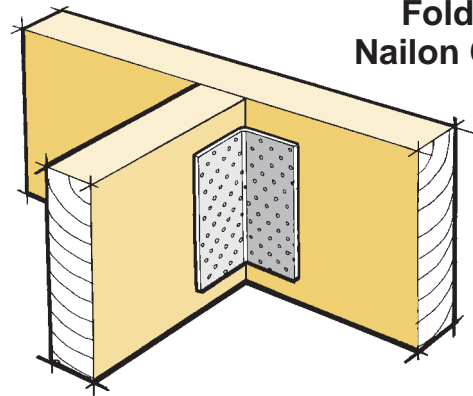
Truss to Pole Fixing



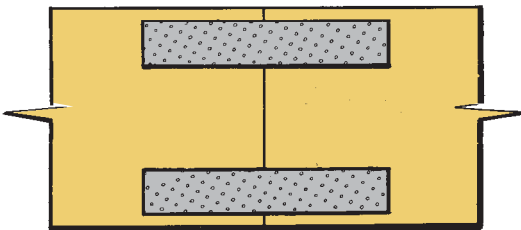
12kN Brace
Pile Connection



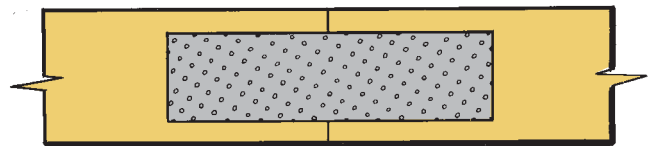
Folded
Nailon Cleats



Full strength joint splice



High tension load fixing

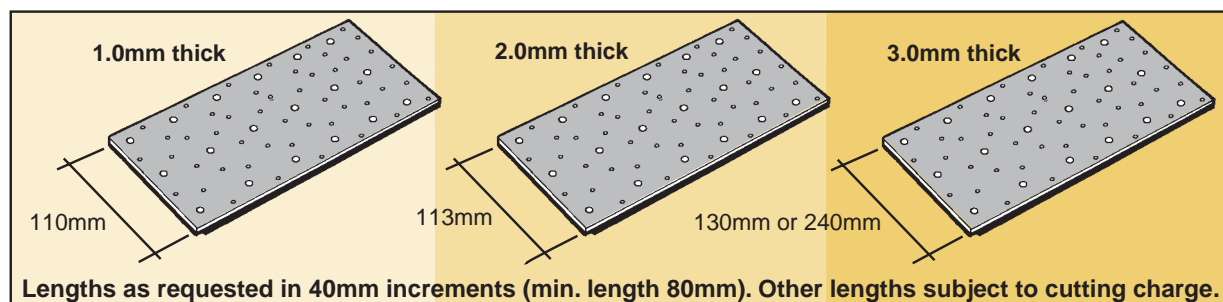


Available from leading Builders Supply Merchants

Nailon Plate Dimensions

Nailon is manufactured from steel coil and is available in 1mm, 2mm and 3mm nominal thicknesses of widths shown. LUMBERLOK Nailon is a very versatile steel plate with many applications in timber construction, providing a very strong jointing system. Nailon is easily applied by filling the pre-punched holes with LUMBERLOK Product Nails 30mm x 3.15mm dia.

Flat Nailon Plate can be used for splicing trusses and beams, or as a moment joint when a pair of plates are used. 3mm Nailon can also be welded to form special brackets supporting portal frames, trusses etc.



Specification

1.0mm x 110mm mild steel 0.91mm G300 Z275 Galvanised Steel

2.0mm x 113mm mild steel 1.55mm G300 Z275 Galvanised Steel

3.0mm x 130mm or 240mm mild steel NZCC-SD ungalvanised

1.0mm and 2.0mm Nailon is zinc coated prior to punching. 3.0mm Nailon is generally supplied ungalvanised, however all Nailon is available hot dipped galvanised on request.

Nailon is available in 0.9mm x 110mm Stainless Steel 304-2B.

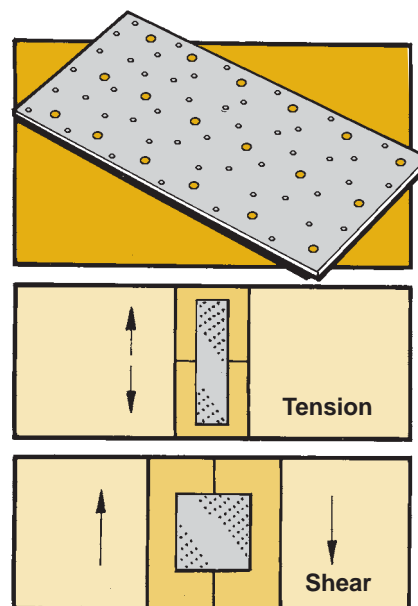
Nails

1.0mm and 2.0mm Nailon, 20 nails per 100mm plate length.

3.0mm Nailon 130mm wide, 27 nails per 100mm plate length.

3.0mm Nailon 240mm wide, 50 nails per 100mm plate length.

Stainless Steel nails are also available.



Loadings

Nail Load	Characteristic Load
30mm x 3.15 dia.	1.0 kN/Nail

Plate Load	Characteristic Load
1mm Plate Tension	244 N/mm per plate
1mm Plate Shear	157 N/mm per plate
2mm Plate Tension	415 N/mm per plate
2mm Plate Shear	270 N/mm per plate
3mm Plate Tension	425 N/mm per plate
3mm Plate Shear	283 N/mm per plate

Availability

As many Nailon requirements are not stock items, a lead time is sometimes required when ordering. Flat Nailon Plate can be cut to any length, in multiples of 40mm, or in coil form. All folded and special Nailon products are made to order. Order your Nailon requirements through your local LUMBERLOK merchant. Orders directed to us will be charged via your local merchant.

Order to Specify

1. LUMBERLOK Nailon Plate - thickness, width and length in 40mm increments. (min. 80mm length)
2. Special requirements, preferably accompanied by a sketch.
3. Quantity.
4. Nail quantity required.