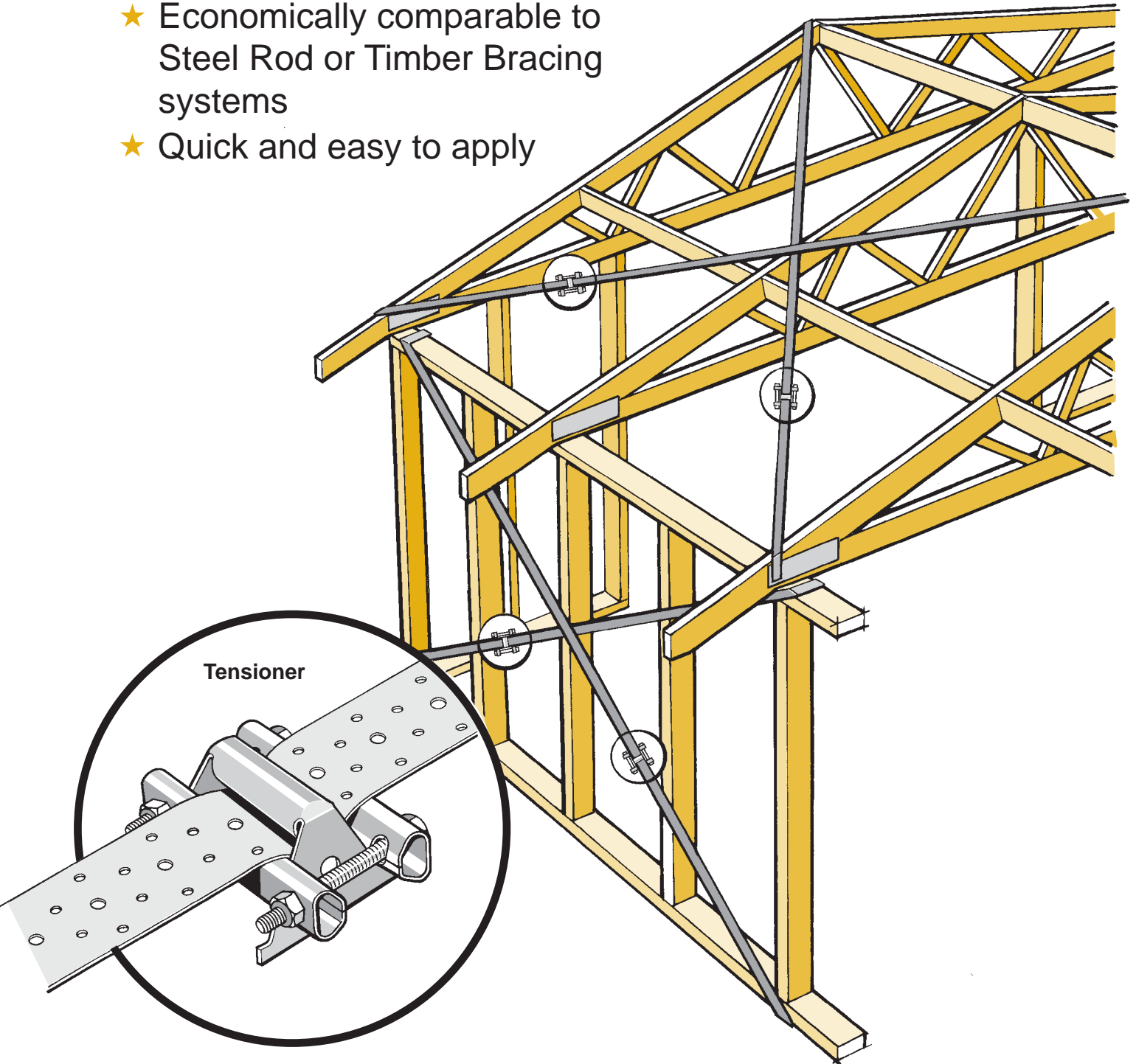




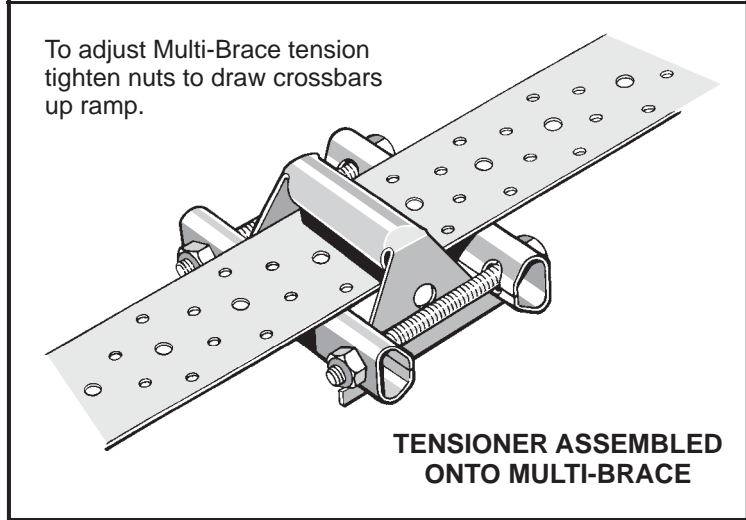
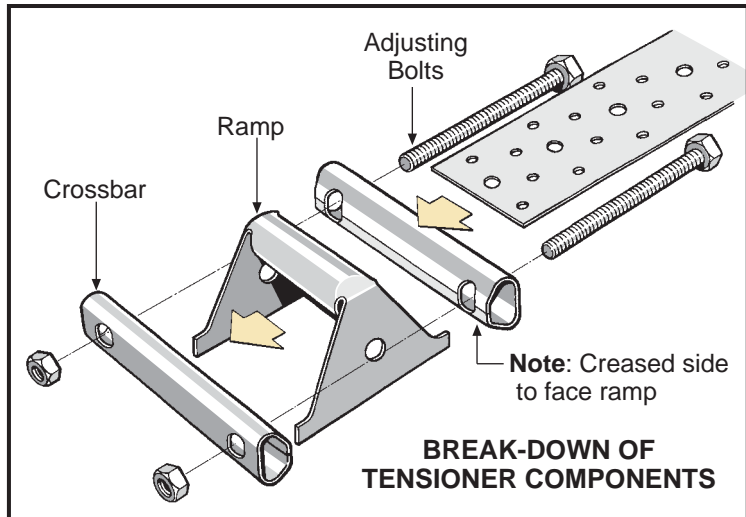
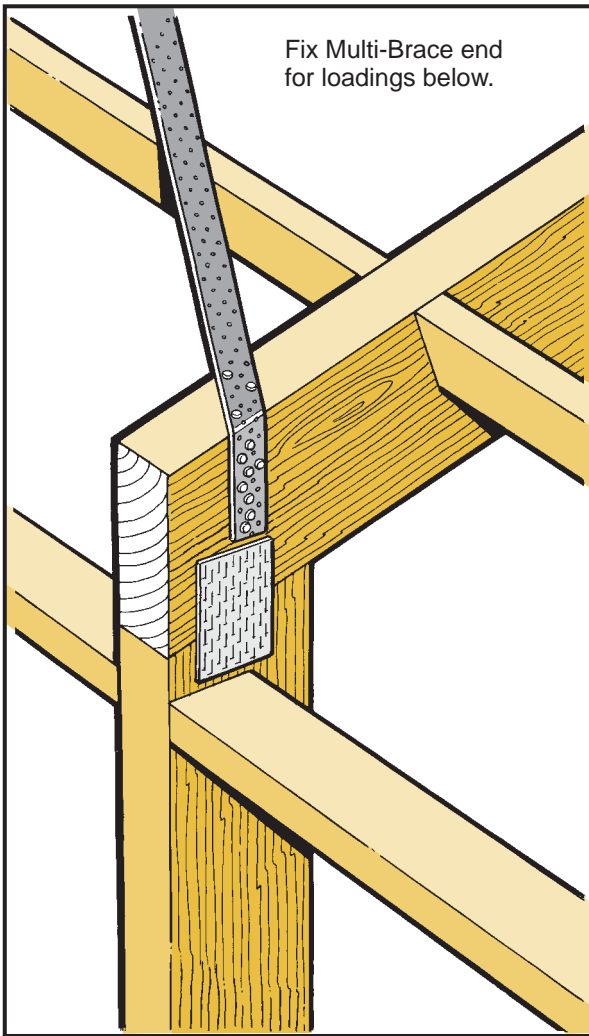
## MULTI-BRACE

- ★ Commercial and Industrial Roof/Wall Bracing
- ★ Economically comparable to Steel Rod or Timber Bracing systems
- ★ Quick and easy to apply

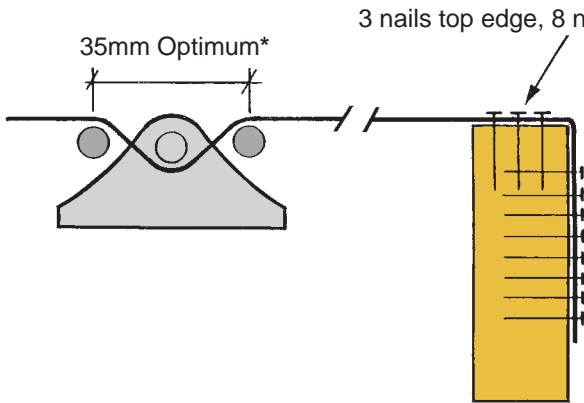
USE STAINLESS STEEL  
OPTION IN  
EXTERIOR SITUATIONS



Available from leading Builders Supply Merchants



## Loadings



**0.91mm x 53mm G300 Z275 GALVANISED STEEL**  
**0.9mm x 53mm STAINLESS STEEL 304-2B**

Tension	Multi-Brace Only	Multi-Brace With Tensioner #
Characteristic Load	14.8 kN	14.8 kN*
Elongation 0.2mm/m/kN including nail slip		
End nail fixing -11 x LUMBERLOK Product Nails 30mm x 3.15 dia.		

## Tensioner

Use tensioner to ensure Multi-Brace is taut prior to roof fixing.  
 # Note: Not available in Stainless Steel so tension must be provided during installation phase.

## Availability

Multi-Brace is available in 10m, 15m and 30m coil lengths which may be ordered through your local LUMBERLOK merchant. (Special lengths available on request).