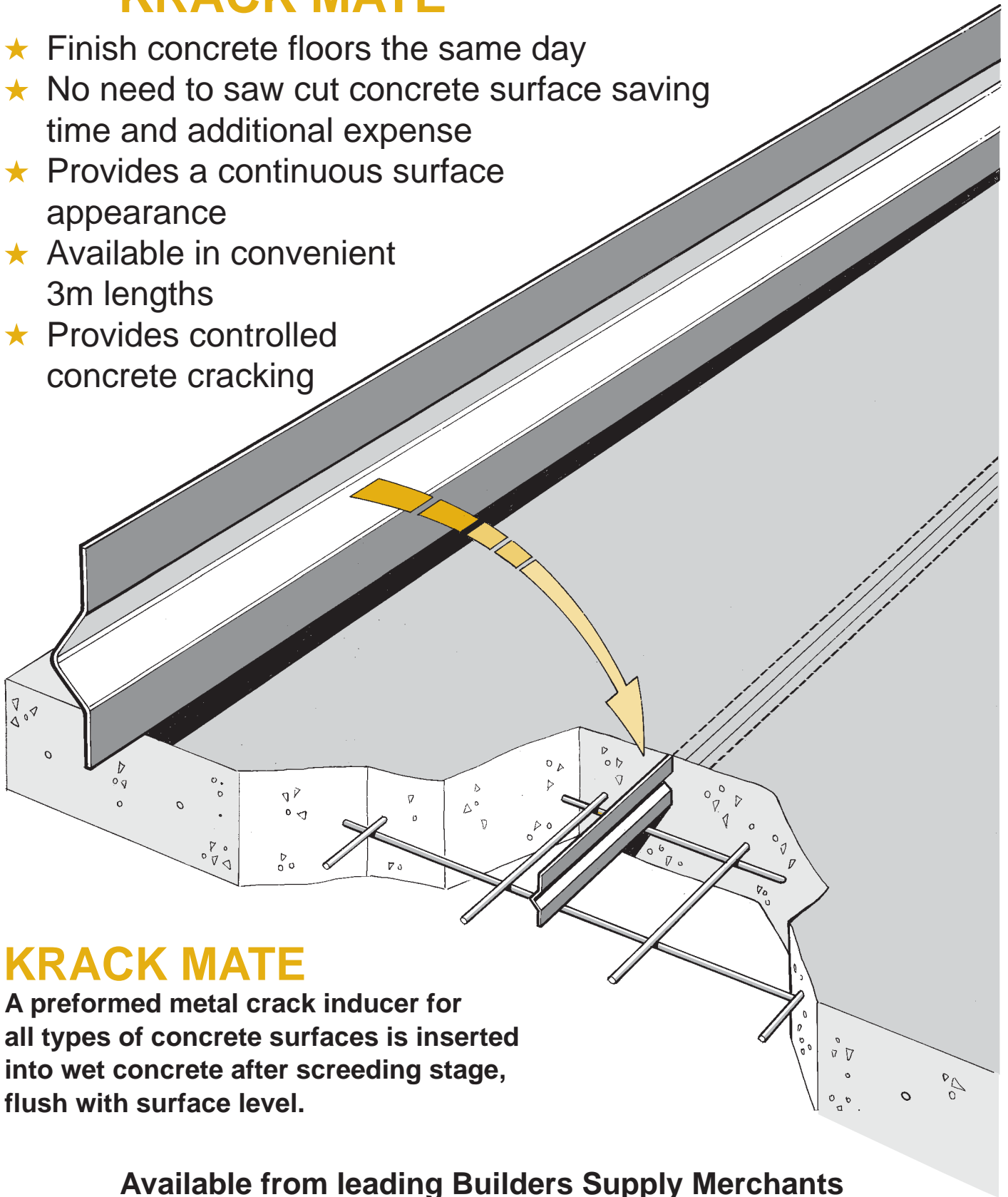




## KRACK MATE

- ★ Finish concrete floors the same day
- ★ No need to saw cut concrete surface saving time and additional expense
- ★ Provides a continuous surface appearance
- ★ Available in convenient 3m lengths
- ★ Provides controlled concrete cracking



## KRACK MATE

A preformed metal crack inducer for all types of concrete surfaces is inserted into wet concrete after screeding stage, flush with surface level.

Available from leading Builders Supply Merchants

## Krack Mate

Available in 3.0m lengths which can be bent and snapped to the required length on site, to suit the width of concrete being laid.

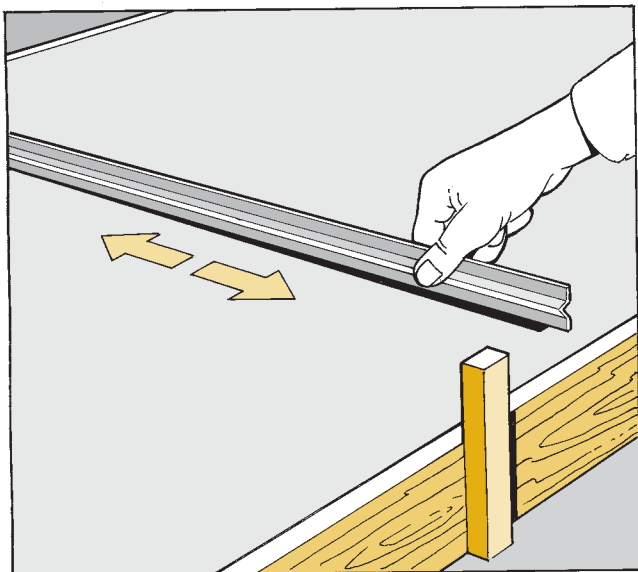
Alternatively KRACK MATE lengths can be lapped against each other for continuous crack induced locations over greater areas.



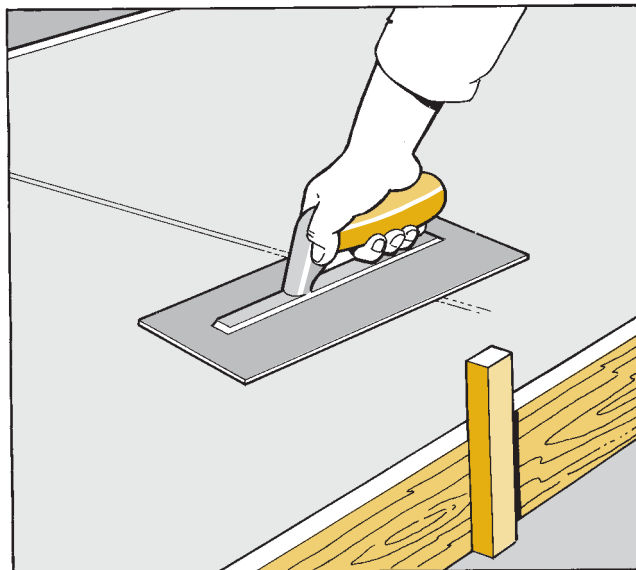
## Installation

Once the concrete has been screeded and is still relatively wet, KRACK MATE can be installed at predetermined locations by placing the product vertically into the concrete surface.

With a series of gentle push/pull movements, the product will slowly immerse itself into the concrete just below, or at surface level.



**Immersing KRACK MATE into screeded surface**



**Floating off for continuous surface finish**

## Advantages

- Designed for on-ground slabs and can be butted up to any given edge ie. columns, pilasters and kerbing.
- Allows the concrete to crack along the KRACK MATE whilst it cures.
- Profile makes KRACK MATE almost impossible to dislodge therefore surface can be floated as normal to obtain a flat continuous surface.
- KRACK MATE provides a positive alternative to existing methods and saw cut options.
- KRACK MATE insures no cutting of mesh enabling the continuity of mesh and rebar to be utilised to their maximum strength.

## Material

0.85mm G250 Z275 Galvanised Steel

36mm o/a width

Supplied in 3.0m lengths



### MiTek New Zealand Limited

AUCKLAND  
PO Box 58-014, Botany 2163  
Phone: 09-274 7109  
Fax: 09-274 7100

CHRISTCHURCH  
PO Box 8387, Riccarton 8440  
Phone: 03-348 8691  
Fax: 03-348 0314

[www.mitek.nz.co.nz](http://www.mitek.nz.co.nz)

GANG-NAIL® LUMBERLOK® BOWMAC®

