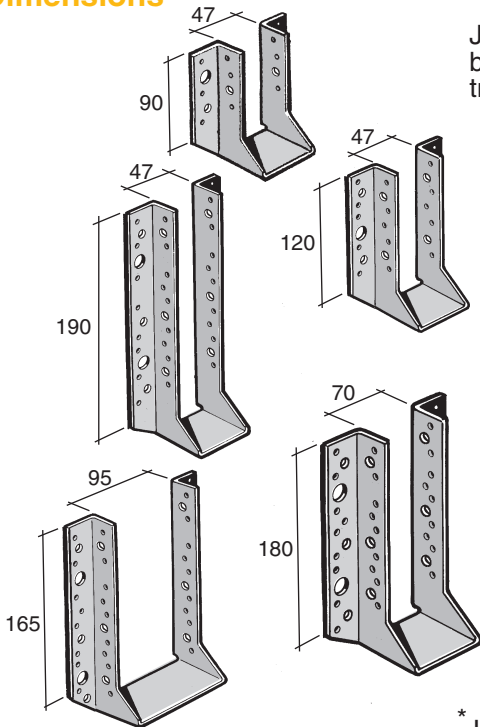




## JOIST HANGERS

**USE STAINLESS STEEL  
OPTION IN  
EXTERIOR SITUATIONS**

### Dimensions



Joist Hangers are designed to be used where a strong rigid joint is required between members butting together at 90 degrees, e.g floor joist to beam, truss or rafter to beam/bearer

**Joist Hangers to suit 50mm thick (nominal) timber are available in three sizes**

\* **JH47 x 90** - For use on gauged 47mm wide timber up to 150mm deep.

\* **JH47 x 120** - Suitable for gauged 47mm wide timber up to 200mm deep.

\* **JH47 x 190** - For gauged 47mm wide timber up to 300mm deep.

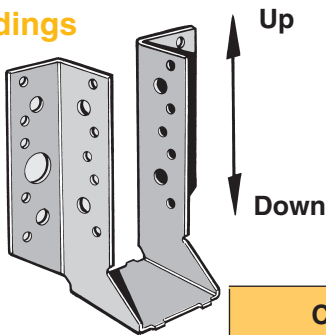
**Joist Hanger to suit 75mm thick (nominal) timber**

**JH70 x 180** - A special size joist hanger designed for gauged 69mm wide timbers.

**Joist Hanger to suit 100mm thick (nominal) timber**

**JH95 x 165** - For use on gauged 94mm wide timber or double joists/trusses.

### Loadings



\* Joist Hangers are available in 52 x 90, 52 x 120 and 52 x 190, to suit 52mm wide, rough sawn timber. 37 x 90, 37 x 120 and 37 x 190 are available for 35mm gauged timber. **All sizes (except 37mm) are also available in Stainless Steel 304-2B.**

### IMPORTANT NOTE

For other load conditions, refer to the Characteristic Load Table below for correct product selection and nailing or screw fixing. In some cases it may be necessary to fully nail or screw fix the Joist Hanger.

Joist Hanger Type	Characteristic Load - Nails			Characteristic Load - Screws		
	No. of Nails per Flange*	Down	Uplift	No. of Screws per Flange*	Down	Uplift
JH 47 x 90	3	9.0 kN	6.0 kN	1	7.0 kN	4.7 kN
JH 47 x 120	5	15.0 kN	10.0 kN	2	14.0 kN	12.0 kN
JH 47 x 190	9	27.0 kN	18.0 kN	3	21.0 kN	18.0 kN
JH 95 x 165	8	24.0 kN	16.0 kN	3	21.0 kN	18.0 kN
JH 70 x 180	8	24.0 kN	16.0 kN	3	21.0 kN	18.0 kN
Nail with LUMBERLOK Product Nails 30mm x 3.15 dia.				Fix with Type 17-12g x 35mm Hex Head Screws		

\* 4 Flanges per hanger

**Note:** Loads for 47mm Joist Hangers also apply to 52mm & 37mm.

**Material:** 0.91mm G300 Z275 Galvanised Steel or 0.9mm Stainless Steel 304-2B

# JOIST HANGER SELECTION & FIXING RECOMMENDATION

**DOMESTIC FLOOR JOISTS AND COMMERCIAL FLOOR JOISTS UP TO 3.0 kPa LIVE LOAD**  
(Refer Table 3.1 AS/NZS 1170.1:2002)

- ★ **Loads 1. DOMESTIC FLOORS & BALCONIES - 1.5 kPa & 2.0 kPa Live Loads**  
(Allows 1.8 kN Point Load & 0.4 kPa Dead Load)
- 2. **COMMERCIAL FLOORS - 3.0 kPa Live Load**  
(Allows 2.7 kN Point Load, 0.5 kPa Dead Load)
- ★ Floor Joist centres up to 600mm.
- ★ These charts cover SG6, SG8 & SG10 timber grades.
- ★ The same selection of nail/screw pattern applies to gauged 35mm & nominal 50mm timber thickness.

## NAILING RECOMMENDATION

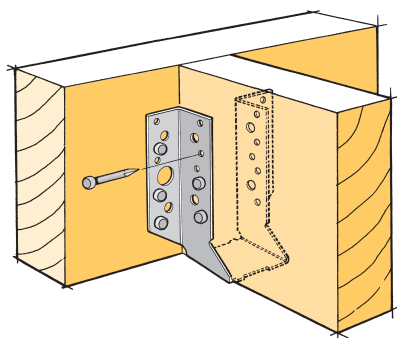
Nail with LUMBERLOK Product Nails 30mm x 3.15 dia.

Joist Size	Recommended Joist Hanger	Domestic Floors & Balconies Min. No. of Nails Per Flange ( 4 Flanges Total )	Commercial Floors Min. No. of Nails Per Flange ( 4 Flanges Total )
100 x 50	JH 47 x 90	2	3
150 x 50	JH 47 x 90	2	3
200 x 50	JH 47 x 120	3	4
250 x 50	JH 47 x 190	4	4
300 x 50	JH 47 x 190	4	5

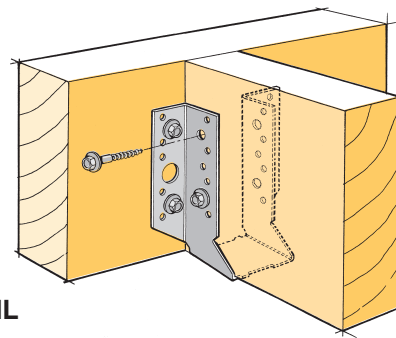
## SCREW FIXING RECOMMENDATION

Fix with Type 17-12g x 35mm Hex Head Screws

Joist Size	Recommended Joist Hanger	Domestic Floors & Balconies No. of Screws Per Flange ( 4 Flanges Total )	Commercial Floors No. of Screws & Nails Per Flange ( 4 Flanges Total )
100 x 50	JH 47 x 90	1	1 Screw + 1 Nail
150 x 50	JH 47 x 90	1	1 Screw + 1 Nail
200 x 50	JH 47 x 120	2	2 Screws + 2 Nails
250 x 50	JH 47 x 190	2	2 Screws + 2 Nails
300 x 50	JH 47 x 190	3	3 Screws + 2 Nails



NAIL DETAIL



SCREW DETAIL