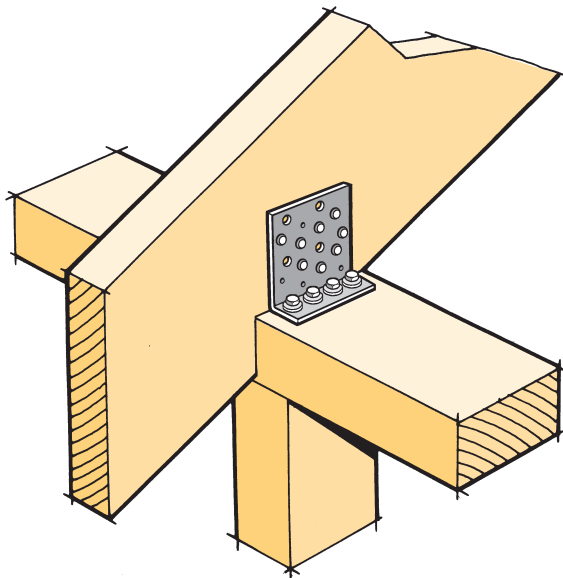




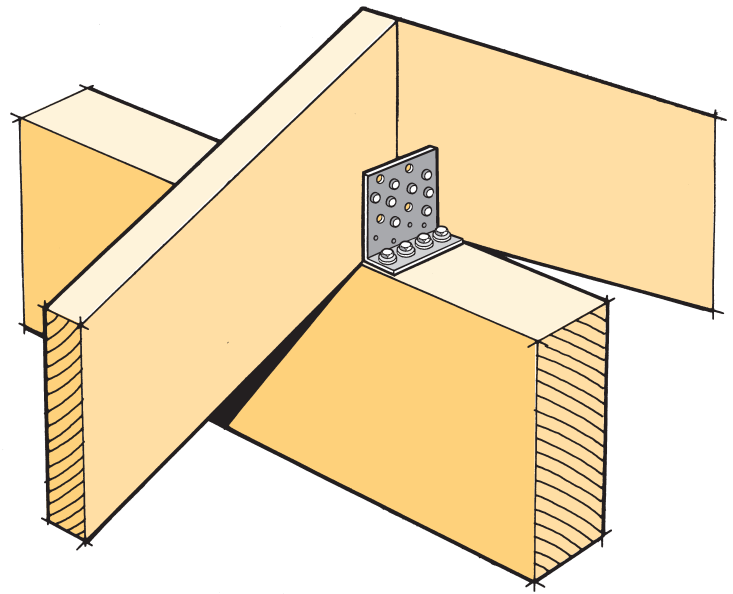
CONCEALED PURLIN CLEATS FOR FIXING PURLINS TO EXPOSED RAFTERS

- ★ Quick and Easy to Apply
- ★ Resists High Wind Uplift

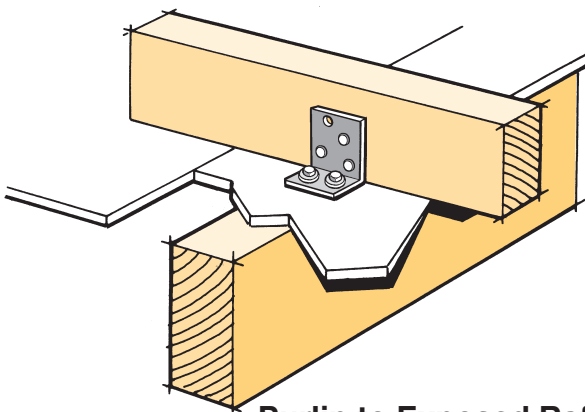
USE STAINLESS STEEL
OPTION IN
EXTERIOR SITUATIONS



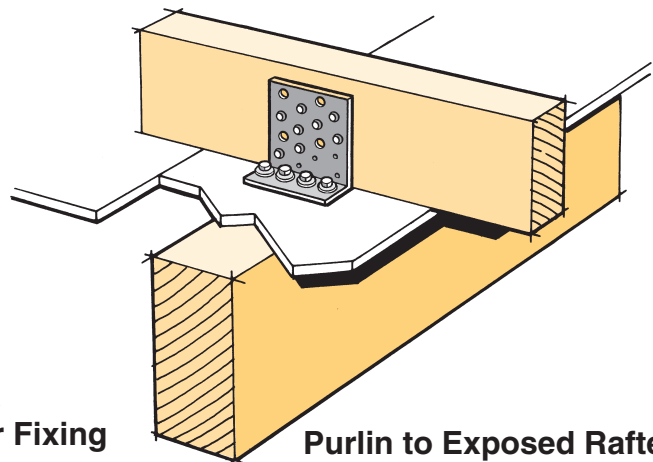
Exposed Rafter to Wall Fixing



Exposed Rafter to Ridge Beam Fixing



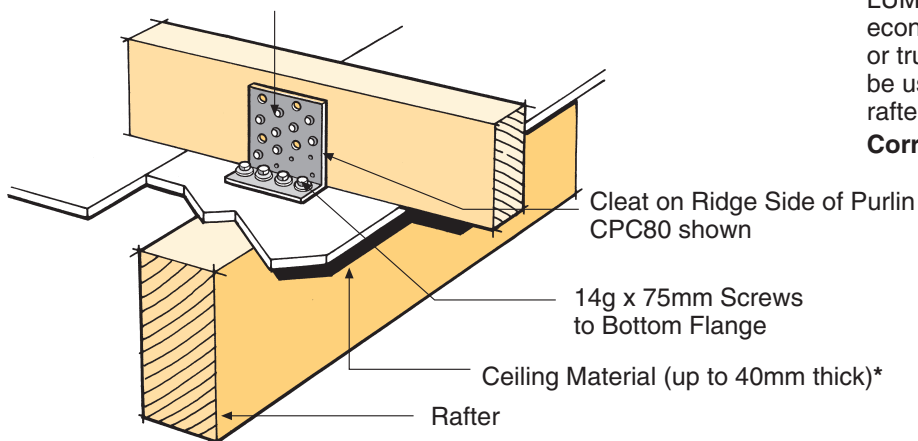
Purlin to Exposed Rafter Fixing
CPC40S Shown



Purlin to Exposed Rafter Fixing
CPC80 Shown

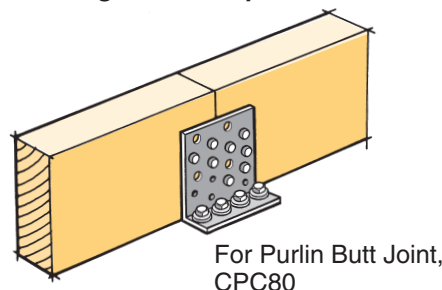
Available from leading Builders Supply Merchants

LUMBERLOK Product Nails to Top Flange



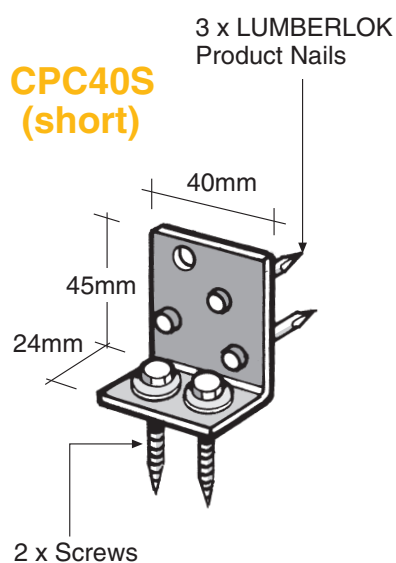
LUMBERLOK Concealed Purlin Cleats provide an economical fixing for purlins to exposed rafters or trusses, to resist wind uplift. They can also be used in exposed to view situations, such as a rafter to ridge beam or top plate situation.

Correct nailing is most important. See below.



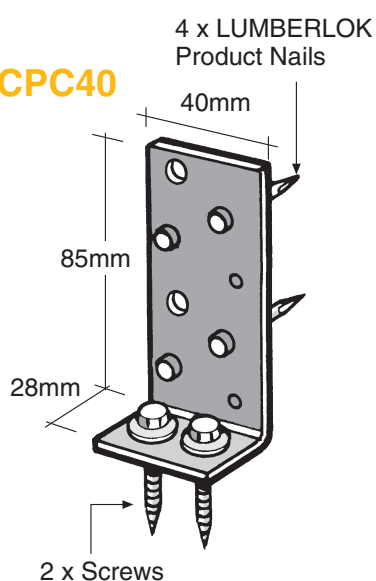
DIMENSIONS AND NAILING

CPC40S (short)



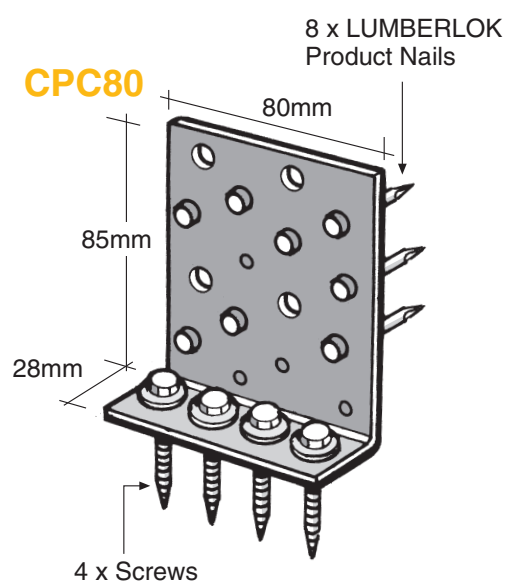
Rafter Width (nominal) **50mm**

CPC40



50mm

CPC80



100mm



Uplift Direction	CPC40S	CPC40	CPC80
Characteristic Load	5 kN/pair	8 kN/pair	16 kN/pair
Fix as shown with- LUMBERLOK Product Nails 30mm x 3.15 dia. Type 17-14g x 35mm Hex Head Galvanised Screws * Note: Stainless Steel CPC use Type 17-12g x 35mm Hex Head Stainless Steel Screws			

FIXINGS:

To Top Flange: LUMBERLOK Product Nails 30mm x 3.15 dia.

Bottom Flange: Type 17-14g x 35mm Hex Head Galvanised Screws
 *Note: with ceiling material use Type 17-14g x 75mm Screws
Note: Stainless Steel CPC use Type 17-12g x 35mm Hex Head Stainless Steel Screws

MATERIAL:

1.55mm G300 Z275 Galvanised Steel or 0.9mm Stainless Steel 304-2B

SCREWS AND NAILS NOT INCLUDED WITH PRODUCT