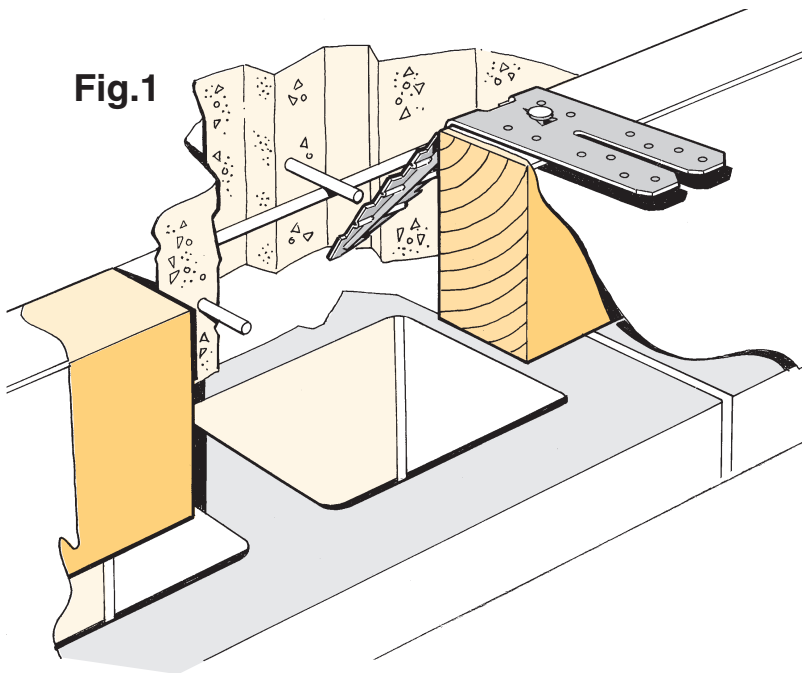




## BOTTOM PLATE FIXING ANCHOR

- ★ Eliminates the drilling of bottom plates
- ★ Makes the fixing of timber framework easier and quicker
- ★ Saves hand trowelling around cast-in anchor bolts or rods
- ★ Use at 900mm centres max.
- ★ Complies with Clause 7.5.12.2 NZS 3604:2011

Fig.1



1. Bottom Plate Fixing Anchors shall be fixed at 900mm centres max. to the boxing for concrete floor slabs, over a continuous vapour barrier.

Each Fixing Anchor is nailed prior to concrete pour, and shall be left undisturbed until concrete has hardened ready for timber frames to be installed. (Fig.1).

2. When timber framing is in place, the Fixing Anchors are folded up and over the bottom plate. (Fig. 2).

3. Two LUMBERLOK Product Nails 30mm x 3.15 dia. shall then be driven into the side of the bottom plate and two additional nails applied through each of the lugs. Should a stud coincide with the position of a Fixing Anchor, nail as shown in Fig. 3.

4. A 75mm x 4 dia. concrete nail must be fixed adjacent to each Fixing Anchor, through the bottom plate into the concrete, at no less than 70mm from the concrete edge. When used as a Bracing Wall hold-down, a Fixing Anchor must be positioned within 150mm from the end of that wall. Bracing wall must not exceed 70 BU/m.

Fig. 3

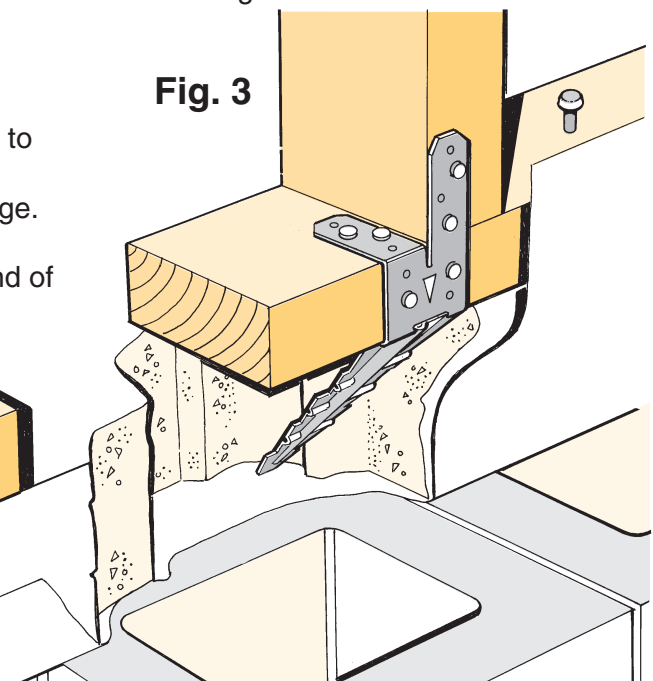
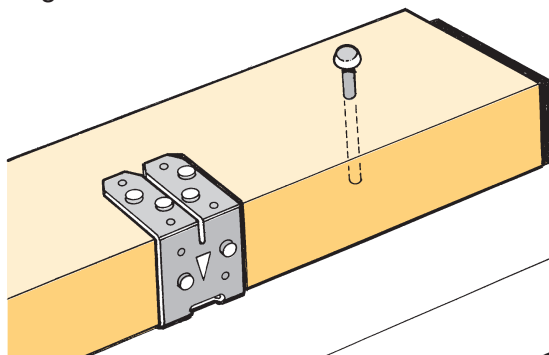
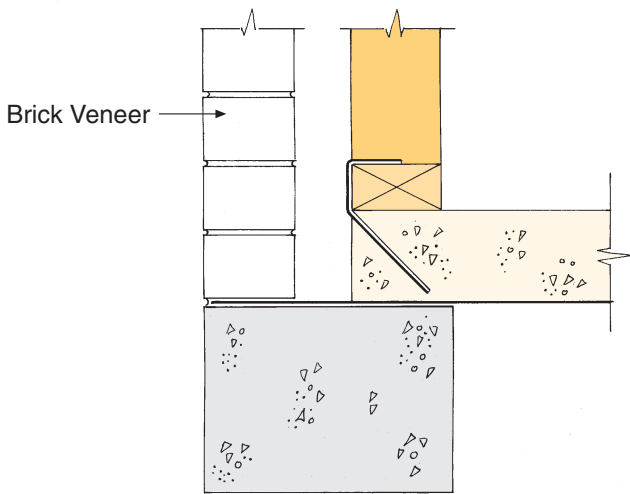
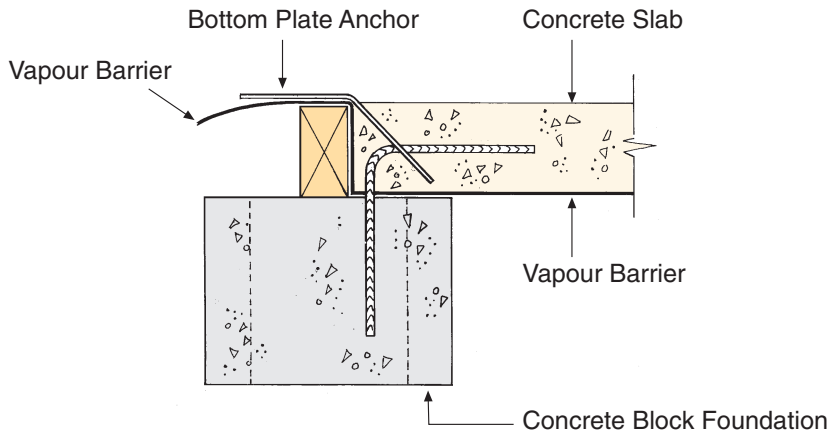


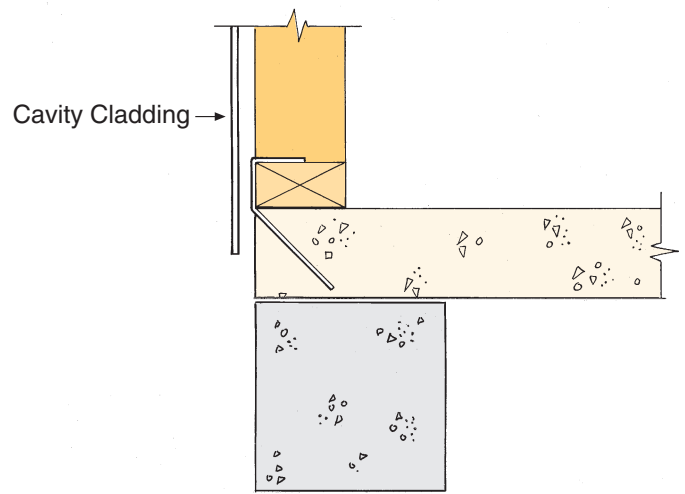
Fig. 2



Available from leading Builders Supply Merchants



**BRICK VENEER**



**CAVITY CLADDING**

**Code:** BPA  
**Material:** 0.95mm G300 Z450 Galvanised Steel  
**Code:** SSBPA  
**Material:** 0.9mm Stainless Steel 304-2B  
**Packaged:** 50 per carton

**Design Loads**  
 Concrete compressive strength 20 MPa min.

