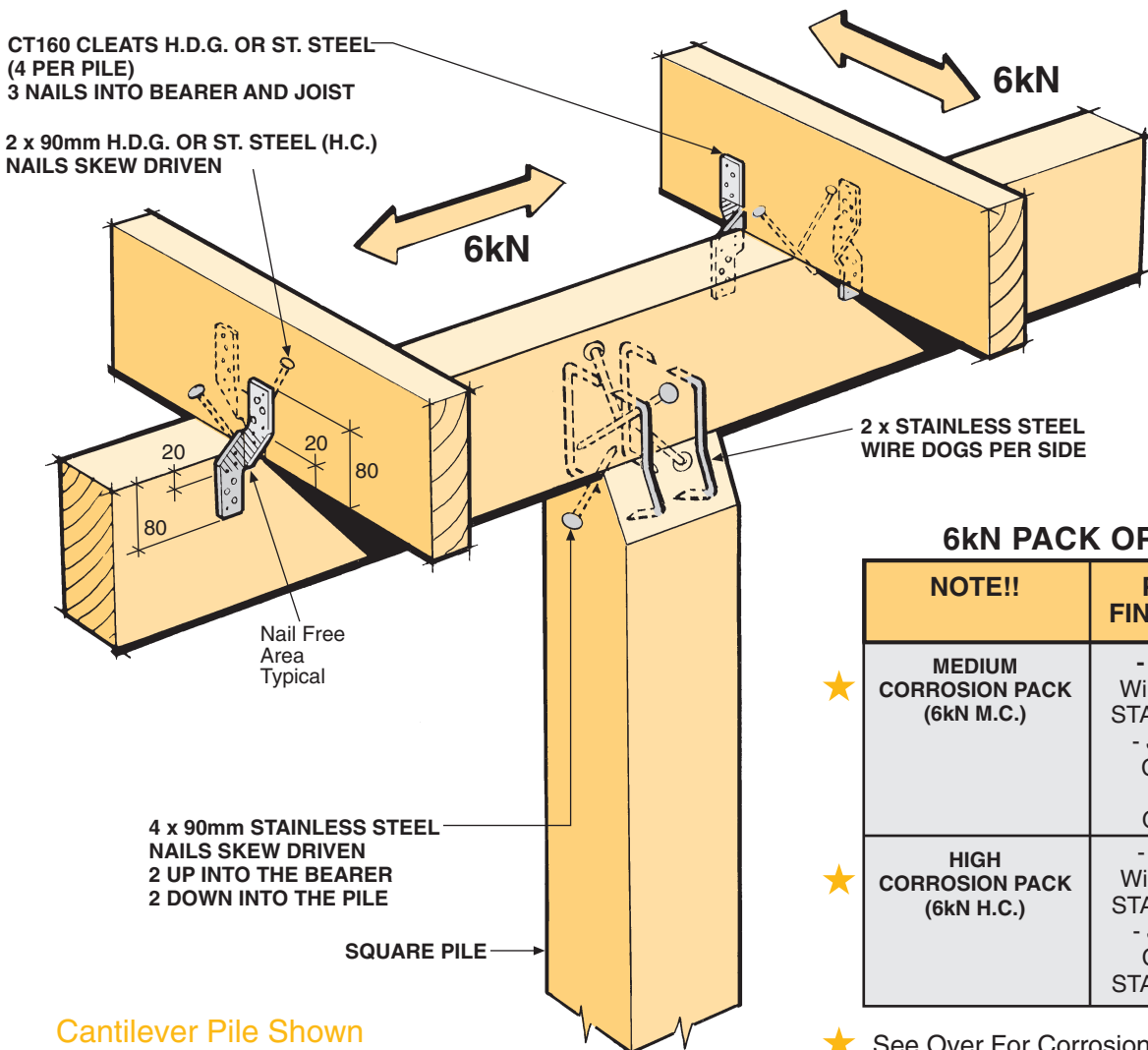




## 6kN PILE FIXING FOR CANTILEVER PILES

- ★ The 6kN Pile Fixing must be installed in accordance with this brochure
- ★ Auckland University Tested. Test Ref. 4613
- ★ All subfloor construction must be in accordance with NZS 3604:2011
- ★ NZS 3604 requires lines of lateral support to floor joists within 300mm of bearer or bracing lines, refer to Clause 7.1.2



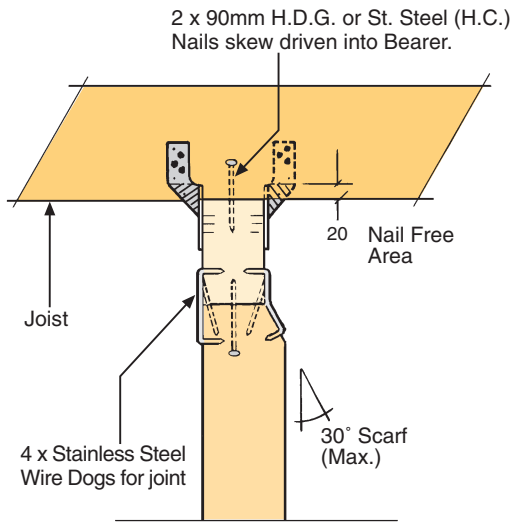
Cantilever Pile Shown  
(on internal bracing line)

### 6kN PACK OPTIONS

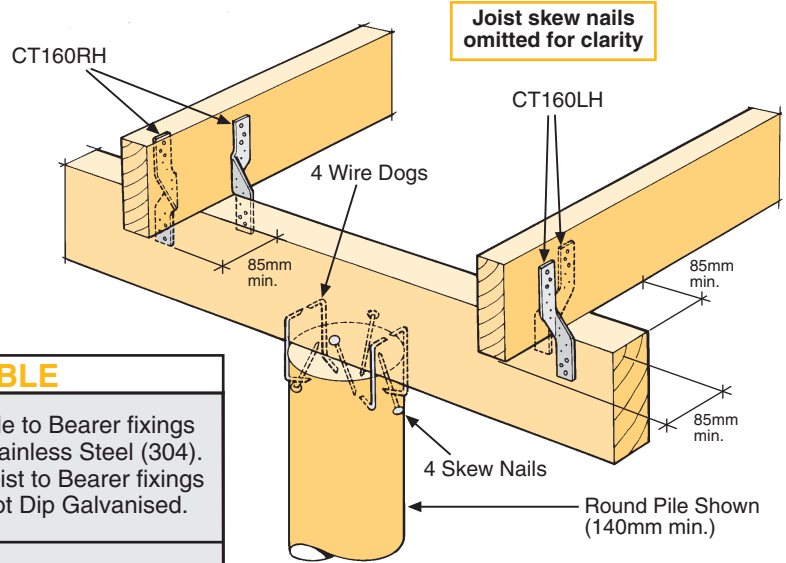
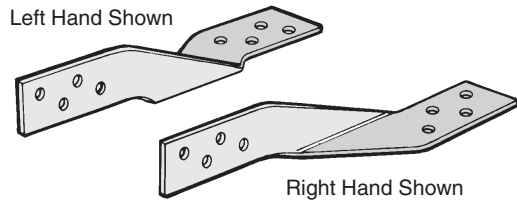
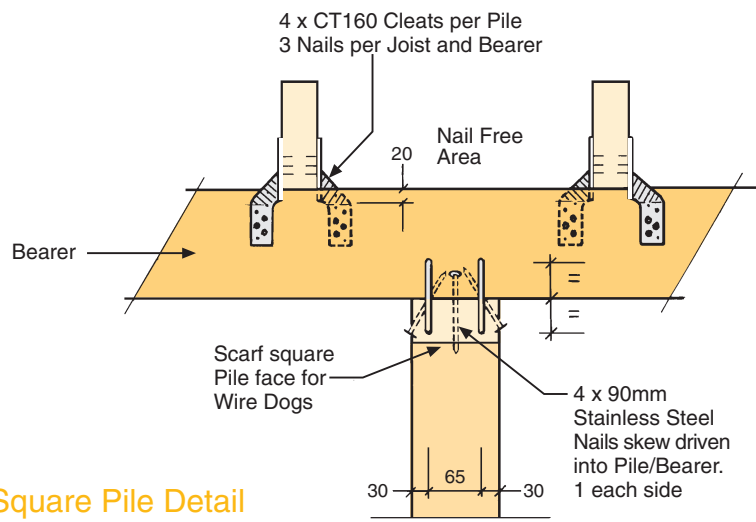
NOTE!!	PRODUCT FINISH OPTIONS
★ MEDIUM CORROSION PACK (6kN M.C.)	- Pile to Bearer Wire Dogs & Nails STAINLESS STEEL - Joist to Bearer Cleats & Nails HOT DIP GALVANISED
★ HIGH CORROSION PACK (6kN H.C.)	- Pile to Bearer Wire Dogs & Nails STAINLESS STEEL - Joist to Bearer Cleats & Nails STAINLESS STEEL

★ See Over For Corrosion Table.

Available from leading Builders Supply Merchants



Square Pile Detail



CORROSION HAZARD USE TABLE	
<b>Medium Corrosion Pack (6kN MC)</b> - Zones B & C - If Joist to Bearer Fixings ABOVE 600mm from Ground level	Pile to Bearer fixings Stainless Steel (304). Joist to Bearer fixings Hot Dip Galvanised.
<b>High Corrosion Pack (6kN HC)</b> - Zone D - All Fixings BELOW 600mm from Ground level	All items Stainless Steel (304).

**6kN Joint Fixing Schedule**

- PILE TO BEARER - Wire Dog Staples (4 per joint) Stainless Steel
- 4 x 90mm Skew Nails (1 per face) Stainless Steel
- JOIST TO BEARER - CT160 Cleats (4 per pile) 160mm long
- 3 Nails per Cleat into Joist
- 3 Nails per Cleat into Bearer
- 2 Skew Nails 90mm (1 per side)
- NAILS - 24 x 45mm x 3.55 dia. Spiral Nails (for Joist to Bearer fixings)
- 4 x 90mm x 4 dia. St. Steel Nails (M.C. Pack only)
- 8 x 90mm x 4 dia. St. Steel Nails (H.C. Pack only)

**6kN Pile Set Contents** Each set represents 1 x 6kN Pile Fixing

- (packed 10 sets per carton)
- 4 x Wire Dog Staples Stainless Steel
- 4 x CT160 Cleats
- 24 x 45mm x 3.55 dia. Spiral Nails
- 90mm St. Steel Nails to suit 4 - M.C. pack
- 8 - H.C. pack

Refer front page for Product Finish Options

90mm H.D.G. Nails not included.

**External Bracing Line**

