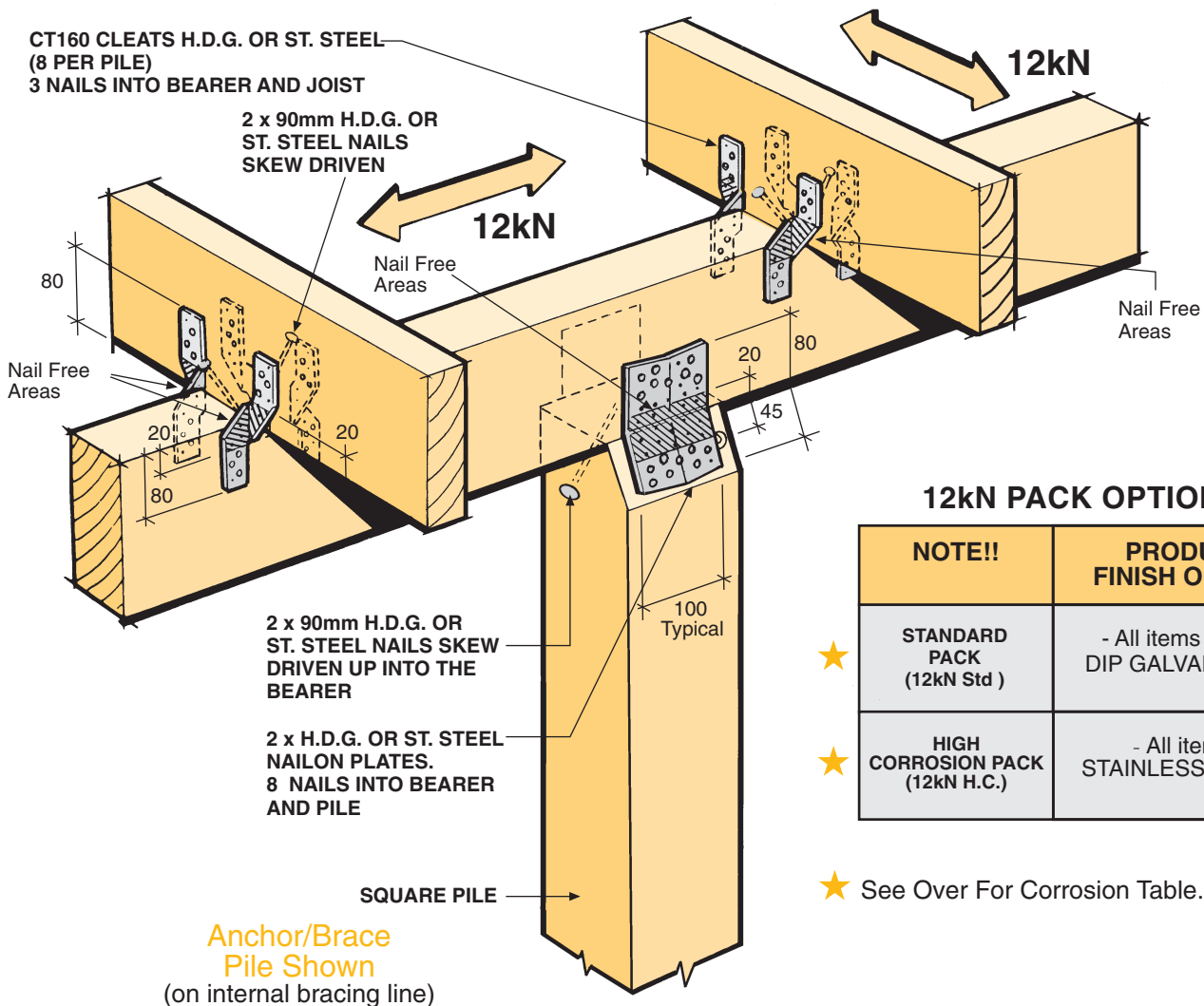




## 12kN PILE FIXING FOR BRACED PILES OR ANCHOR PILES

- ★ The 12kN Pile Fixing must be installed in accordance with this brochure
- ★ Auckland University Tested. Test Ref. 4613
- ★ All subfloor construction must be in accordance with NZS 3604:2011
- ★ NZS 3604 requires lines of lateral support to floor joists within 300mm of bearer or bracing lines, refer to Clause 7.1.2



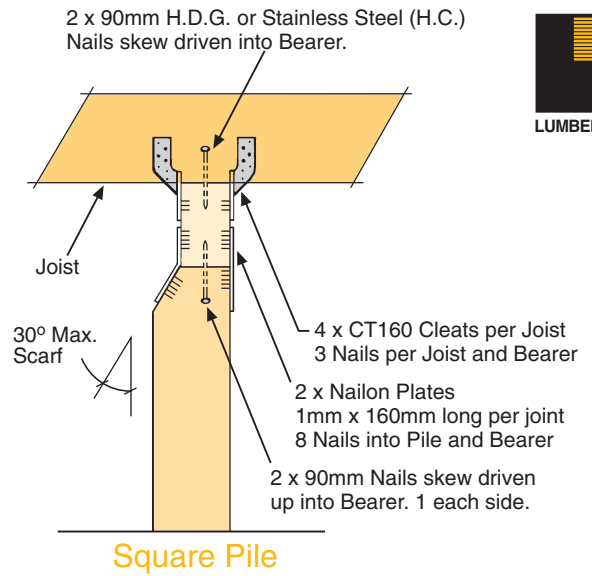
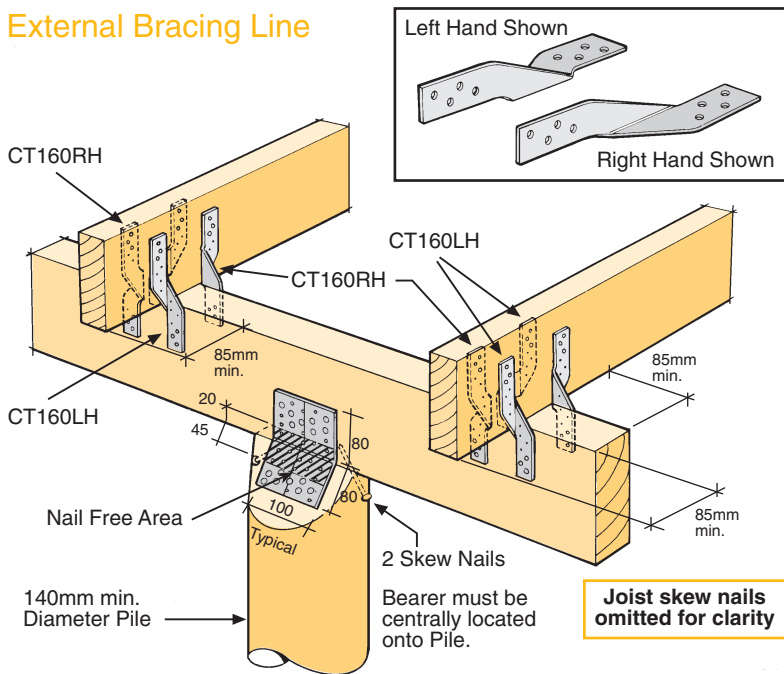
### 12kN PACK OPTIONS

NOTE!!	PRODUCT FINISH OPTIONS
★ STANDARD PACK (12kN Std)	- All items HOT DIP GALVANISED
★ HIGH CORROSION PACK (12kN H.C.)	- All items STAINLESS STEEL

★ See Over For Corrosion Table.

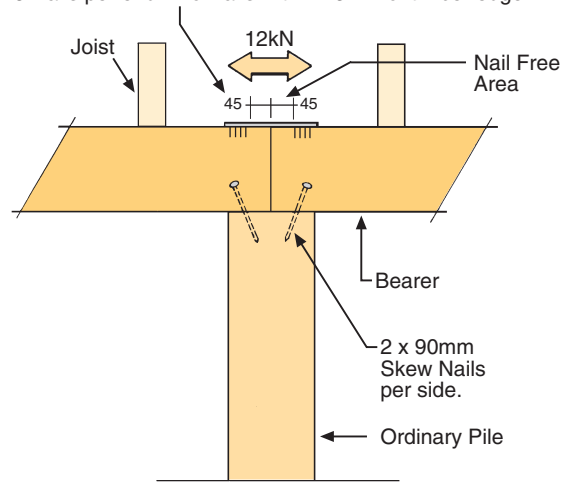
Available from leading Builders Supply Merchants

## External Bracing Line



## Square Pile

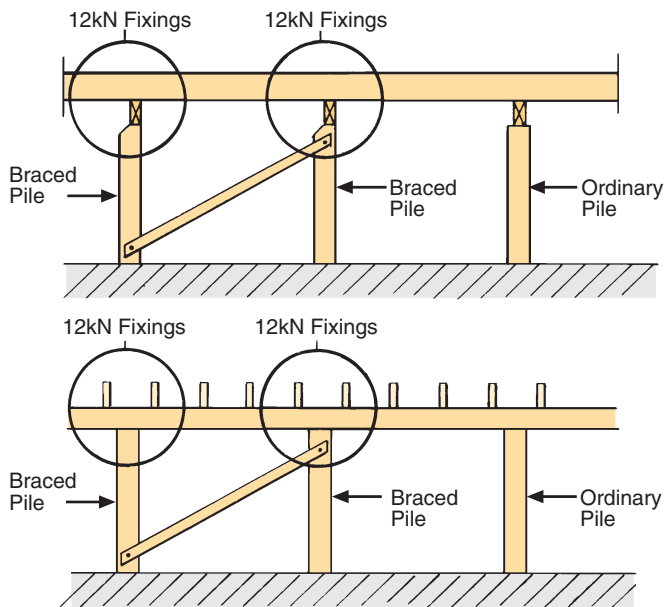
Nailon Plate 1mm x 160mm long (ex 12kN Pack)  
8 Nails per end. No Nails within 18mm of timber edge.



## 12kN Bearer Splice

Clause 6.12.7.2  
NZS 3604:2011

CORROSION HAZARD USE TABLE	
<b>Standard Pack (12kN Std)</b> - Zones B & C - All Fixings ABOVE 600mm from Ground level	All items Hot Dip Galvanised.
<b>High Corrosion Pack (12kN HC)</b> - Zone D - All Fixings BELOW 600mm from Ground level	All items Stainless Steel (304).



## Sample Subfloor Elevations

12kN Fixing - Pile to Bearer  
- Joists to Bearer

## 12kN Joint Fixing Schedule

- PILE TO BEARER**
  - Nailon Plate (2 per joint) 1mm x 100mm (Typical) x 160mm long
  - 8 Nails per Plate into Pile
  - 8 Nails per Plate into Bearer
- JOIST TO BEARER**
  - CT160 Cleats (4 per Joist) 160mm long
  - 3 Nails per Cleat into Joist
  - 3 Nails per Cleat into Bearer
- NAILS**
  - 2 Skew Nails 90mm (1 per side)
  - 80 x 45mm x 3.55 dia. Spiral Nails
  - 6 x 90mm x 4 dia. St. Steel Nails (H.C. Pack only)

## 12kN Pile Set Contents

- Each set represents 1 x 12kN Pile Fixing  
(packed 4 sets per carton)
- 2 x Nailon Plates 160mm long
  - 8 x CT160 Cleats
  - 80 x 45mm x 3.55 dia. Spiral Nails
  - 90mm x 4 dia. St. Steel Angular Groove
  - 6 - H.C. Pack

Refer front page for Product Finish Options

90mm H.D.G. Nails not included.



## MiTek New Zealand Limited

AUCKLAND  
PO Box 58-014, Botany 2163  
Phone: 09-274 7109  
Fax: 09-274 7100

CHRISTCHURCH  
PO Box 8387, Riccarton 8440  
Phone: 03-348 8691  
Fax: 03-348 0314

www.mitek.nz.co.nz



GANG-NAIL® LUMBERLOK® BOWMAC®