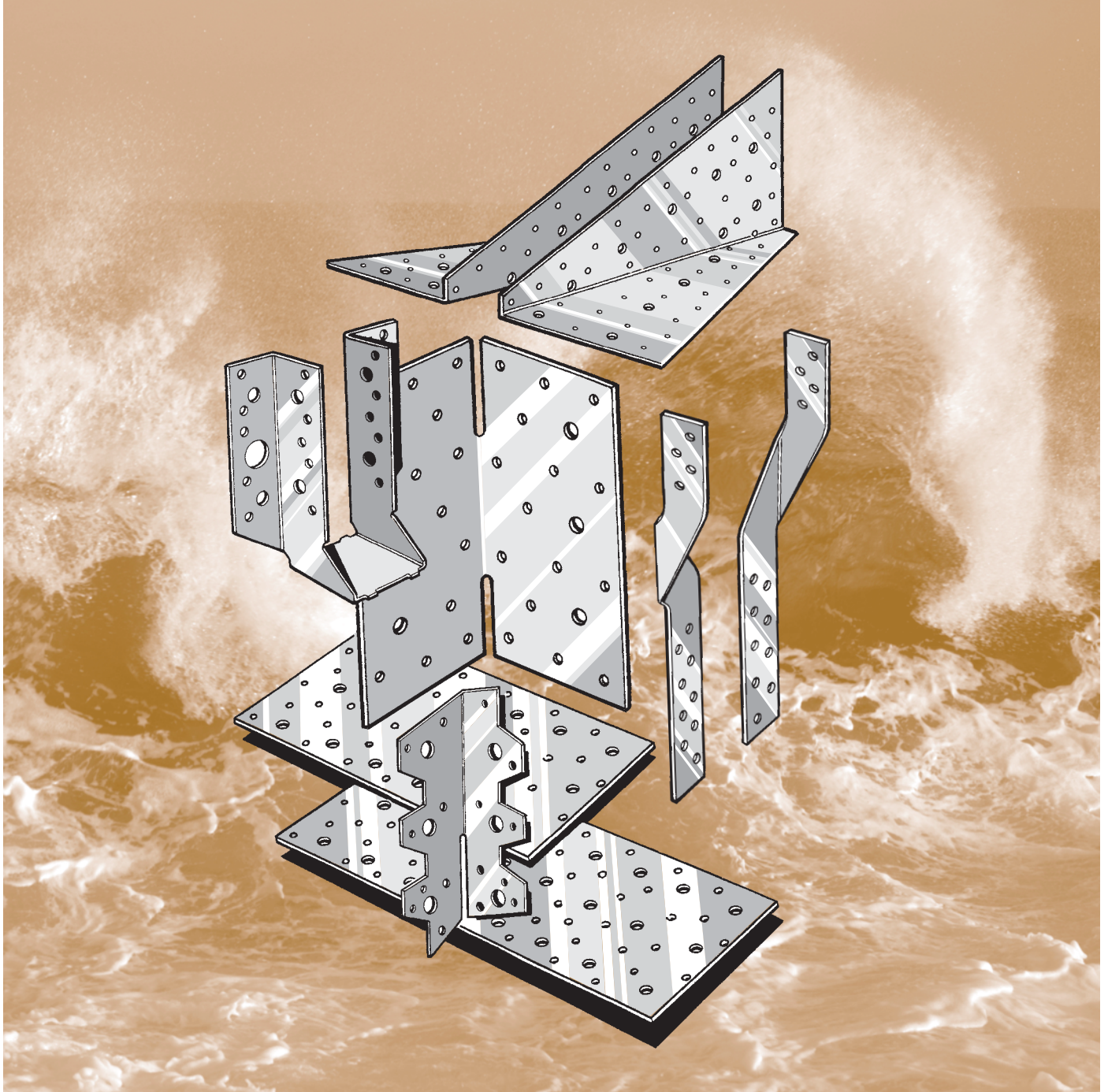




LUMBERLOK®

11/2011

STAINLESS STEEL CONNECTORS FOR USE IN EXTERIOR SITUATIONS



Available from leading Builders Supply Merchants



MATERIAL

Stainless Steel 304-2B (except Screw Ties and Nails - 316 Grade)

STANDARDS

Applicable timber standards are NZS 3603 and NZS 3604:2011 - Section 4 Durability

DURABILITY

Due to the variations in end use and in particular the environments in which these products could be used, we are unable to provide a specific durability statement.

In BRANZ opinion BDO 96/10 however, 304 Stainless Steel is not adversely affected by tanalith treatment and performs considerably better than Hot Dipped Galvanised steel.

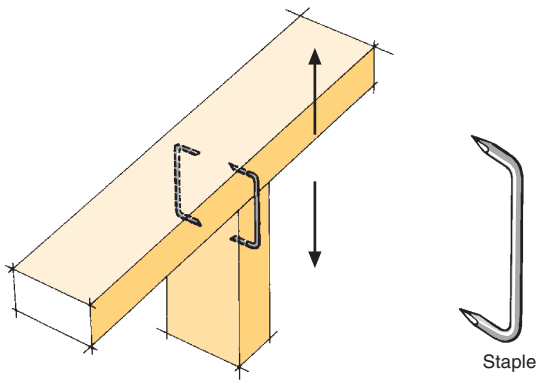
In situations where the product could collect wind blown salt deposit not regularly rain washed away, the durability of 304 Stainless Steel material may be adversely affected.

It is not recommended that Stainless Steel fixings be painted over as this may cause a tea staining effect.

For these situations connectors must be visually inspected for signs of discolouration and a maintenance schedule adopted as required.

AVAILABILITY

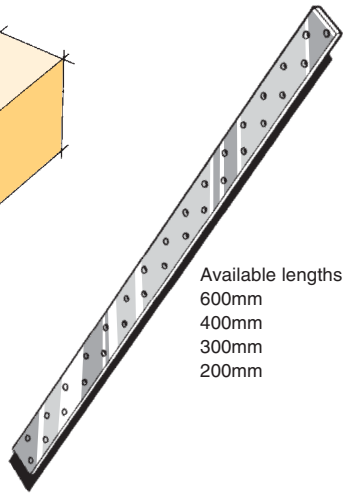
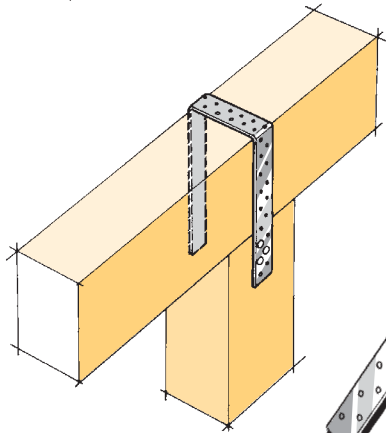
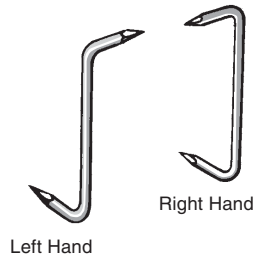
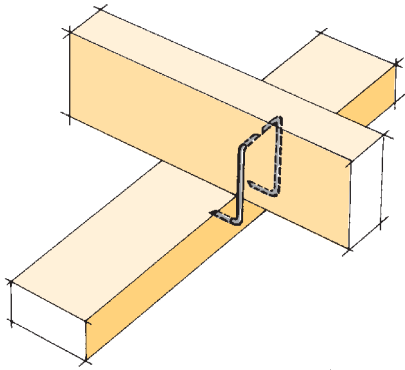
Stainless Steel product can be purchased from Builders Supply Merchants or indented through the merchant from our Auckland and Christchurch warehouse.



WIRE DOGS (LH, RH or STAPLE)

Wire Dogs are manufactured as left handed, right handed, and staples, from 4.76mm diameter stainless steel wire. Each has a 95mm shank, and a 35mm leg.

Refer to Characteristic Loadings Brochure for design values.

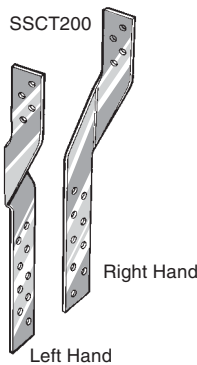
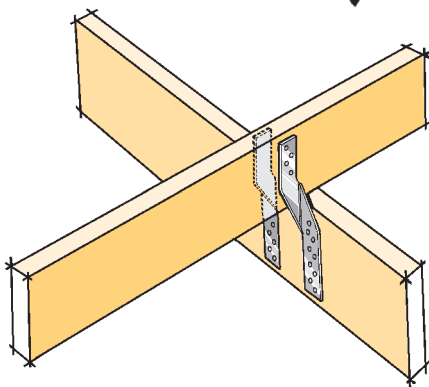


*SHEET BRACE STRAPS

0.9mm x 25mm Stainless Steel 304-2B

Punched strap available in lengths of 200mm, 300mm, 400mm and 600mm. Fixed with LUMBERLOK Stainless Steel Product Nails 30mm x 3.15mm diameter.

Refer to brochure for application data.

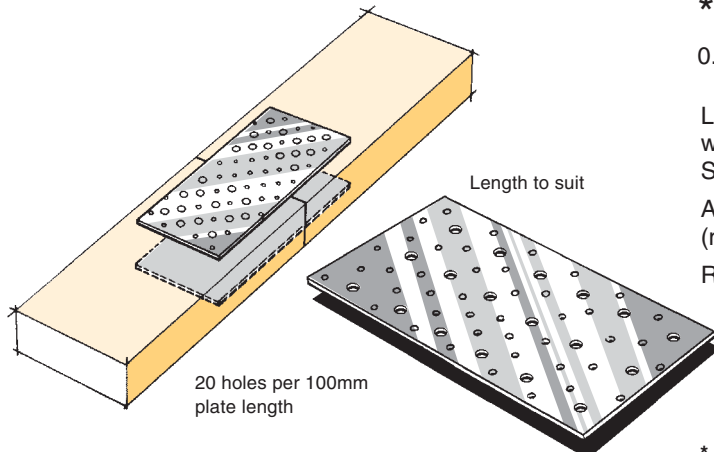


CEILING TIES SSCT160 & SSCT200 (LH or RH)

0.9mm Stainless Steel 304-2B

Overall length 160mm and 200mm. Fixed with LUMBERLOK Stainless Steel Product Nails 30mm x 3.15mm diameter.

Refer to Characteristic Loadings Brochure for design values.



*NAILON PLATE

0.9mm x 110mm Stainless Steel 304-2B

LUMBERLOK Nailon is produced as a flat stainless steel plate with pre-punched holes to accommodate LUMBERLOK Stainless Steel Product Nails 30mm x 3.15mm diameter.

Available as a flat plate, cut to required length, in 40mm increments. (min. 80mm length)

Refer to Characteristic Loadings Brochure for design values.

* Detailed product sheet available

* JOIST HANGERS

0.9mm Stainless Steel 304-2B

Joist Hangers are designed for use where a strong, rigid joint is required between members meeting at 90°, e.g. truss/joist to beam, or rafter to bearer connection.

- i) **Joist Hanger 47 x 90**
Designed for use where gauged timber of 47mm width and up to 150mm deep.
- ii) **Joist Hanger 47 x 120**
Multi-use bracket suitable for gauged 47mm thick timber up to 200mm deep.
- iii) **Joist Hanger 47 x 190**
Used for gauged 47mm thick timber up to 300mm deep.
- iv) **Joist Hanger 70 x 180**
A special size joist hanger designed for gauged 69mm wide timbers.
- v) **Joist Hanger 95 x 165**
For use on gauged 94mm wide timber or double joists/trusses.

Note: Joist Hangers 52mm wide also available for rough sawn timber.

All of the above Joist Hanger connections should be fixed using LUMBERLOK Stainless Steel Product Nails 30mm x 3.15mm diameter, or Type 17-12g x 35mm Hex Head Stainless Steel Screws.

Refer to Characteristic Loadings Brochure for design values.

MULTIGRIP

0.9mm Stainless Steel 304-2B

LUMBERLOK Multigrips are a multipurpose product that can be bent into any of five combinations. One product provides for all alternatives with the bending slot enabling easy on-site bending. Size 125mm high x 38mm flanges. Fix with LUMBERLOK Stainless Steel Product Nails 30mm x 3.15mm diameter.

Refer to Characteristic Loadings Brochure for design values.

* BOTTOM PLATE FIXING ANCHOR

0.9mm Stainless Steel 304-2B

Ingenious product designed to fix timber wall frames down onto concrete slab floors. Bottom Plate Anchors are temporarily fixed to the perimeter boxing at 900mm centres max. prior to the concrete pour, and folded around the bottom plate when the frames are located. LUMBERLOK Stainless Steel Product Nails 30mm x 3.15mm diameter are then applied to secure the frames in position. Alternative to concrete bolts, or the drilling of bottom plates and lifting of frame over cast-in steel rods.

Refer to brochure for application data.

* HEADER BLOCK ANCHOR

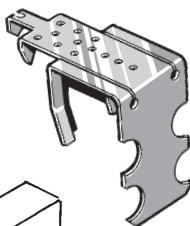
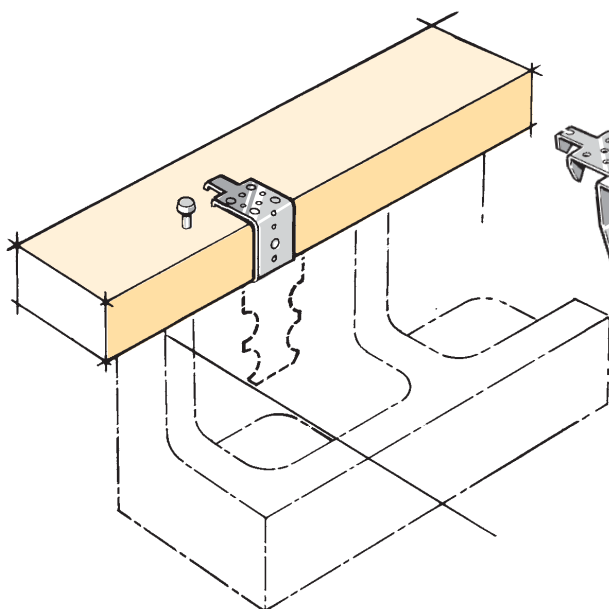
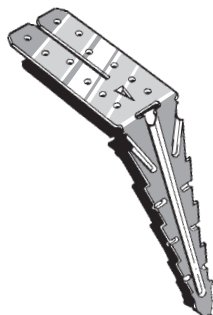
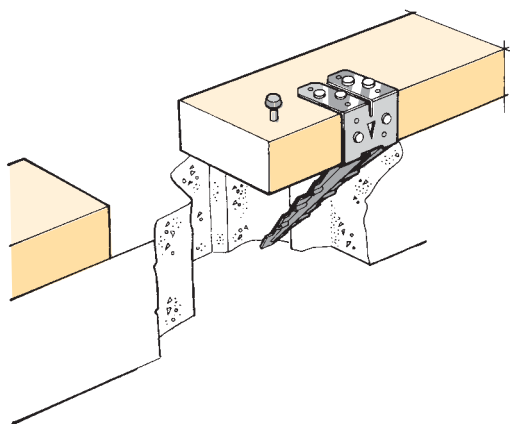
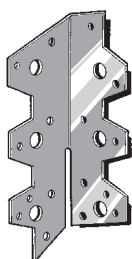
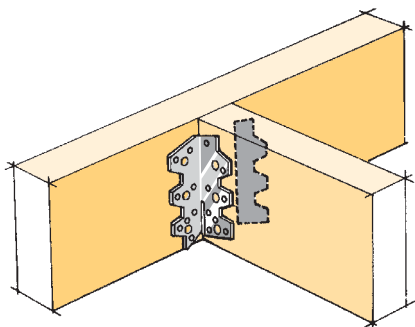
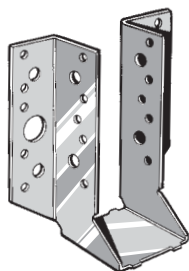
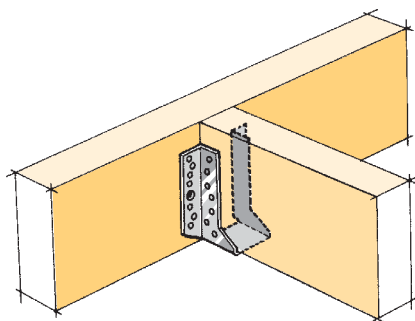
0.9mm Stainless Steel 304-2B

This product has been developed to complement the Bottom Plate Anchor, where concrete header blocks are used to form the concrete slab perimeter. The product is clipped onto the block edge at 600mm centres max. and left until the slab is poured and frames ready to stand up.

The tongue is then lifted up off the surface and folded around the bottom plate for nailing using LUMBERLOK Stainless Steel Product Nails 30mm x 3.15mm diameter.

Refer to brochure for application data.

* Detailed product sheet available



STRIP BRACE

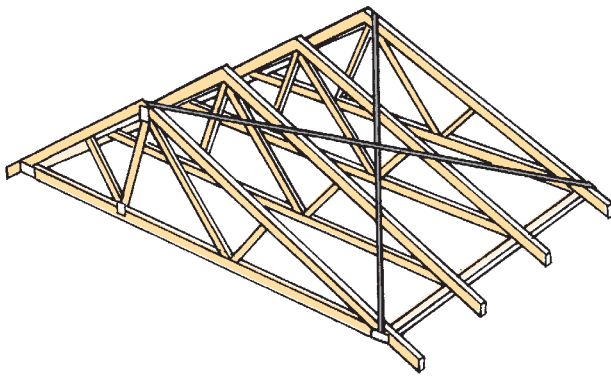
0.9mm x 25mm Stainless Steel 304-2B

Strip Brace is supplied in 10m and 30m coils for use as bracing or in short lengths as a jointing material.

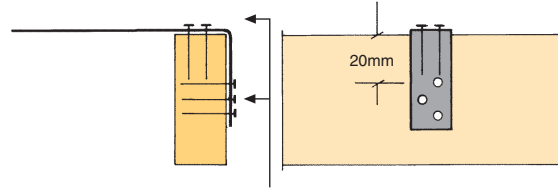
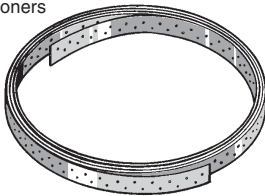
Strip Brace provides an ideal bracing system for walls, or roof plane. One crossed pair of strips may be used in each location where a diagonal brace is required. Fix using 5 x LUMBERLOK Stainless Steel Product Nails 30mm x 3.15mm diameter at each end.

Stainless Steel tensioners are not available so tension must be provided during installation phase.

Refer to Characteristic Loadings Brochure for design values.



Stainless Steel Tensioners not available



2 nails top edge, 3 nails vertical face (not in same line)

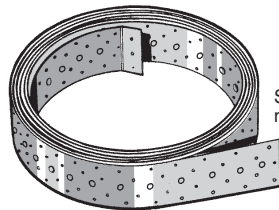
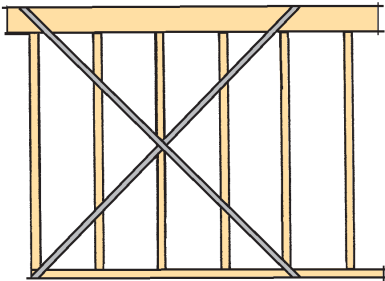
*MULTI-BRACE

0.9mm x 53mm Stainless Steel 304-2B

This product has been developed for commercial building situations as an alternative to steel rod or timber as a bracing element. Coils are available in lengths of 10m, 15m and 30m, punched to allow easy fixing, using 11 x LUMBERLOK Stainless Steel Product Nails 30mm x 3.15mm diameter at each end.

Stainless Steel tensioners are not available so tension must be provided during installation phase.

Refer to Characteristic Loadings Brochure for design values.



Stainless Steel Tensioners not available



3 nails top edge, 8 nails vertical face (not in same line)

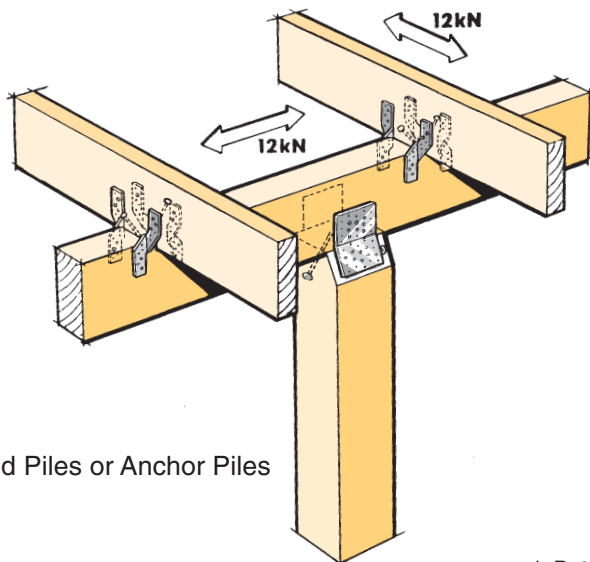
*12kN & 6kN PILE FIXINGS

Both these products comply with NZS 3604:2011 as a fixing method for timber piles to bearers to joists. The 12kN product pack is suitable for both Anchor and Brace pile situations whilst the 6kN pack is used with cantilever piles.

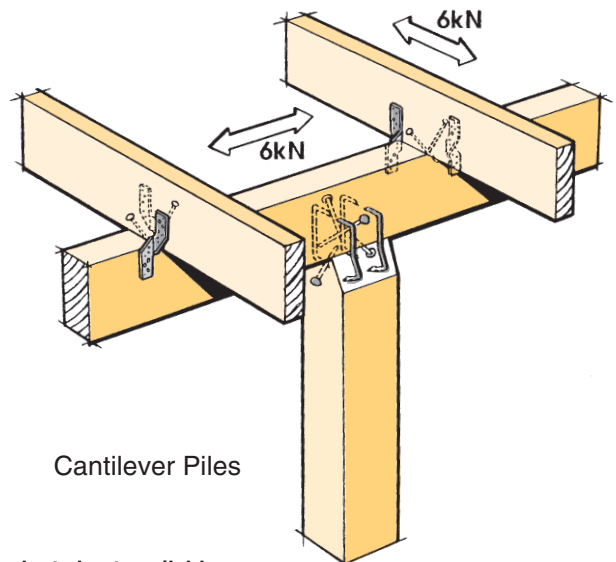
Manufactured in stainless steel to suit high corrosive environments. Packs are supplied inclusive of all necessary nails.

12kN Retro Subfloor Fixings and Ordinary Pile Fixings also available in Stainless Steel.

Refer to brochure for application data.

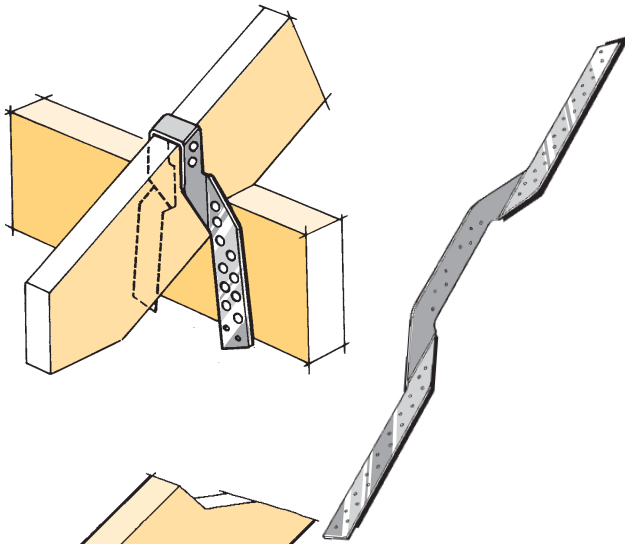


Braced Piles or Anchor Piles



Cantilever Piles

* Detailed product sheet available

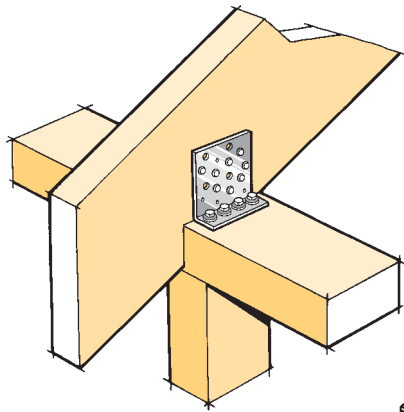


CYCLONE TIES SSCT400 & SSCT600

0.9mm Stainless Steel 304-2B

Overall length 400mm and 600mm – Designed specifically for fixing down rafters or purlins in high wind situations. These are produced in straight pre-twisted lengths which are then folded over timber members on-site, therefore accommodating various width purlins or rafters. Fix with LUMBERLOK Stainless Steel Product Nails 30mm x 3.15mm diameter.

Refer to Characteristic Loadings Brochure for design values.



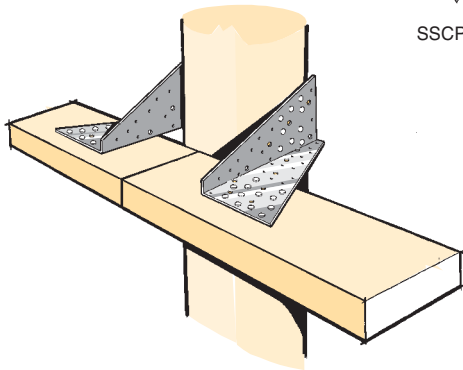
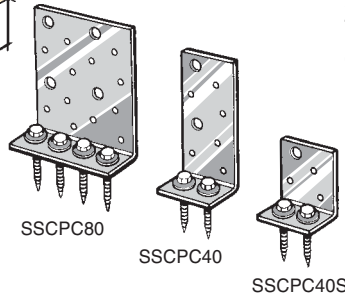
* CONCEALED PURLIN CLEATS SSPC40, SSPC80, SSPC40S

0.9mm Stainless Steel 304-2B

CPC cleats provide an excellent purlin/rafter fixing in exposed situations, resisting any wind uplift.

The cleats can also be used for exposed rafter to ridge beam connections. Fixed with Type 17-12g Hex Head Stainless Steel Screws and LUMBERLOK Stainless Steel Product Nails 30mm x 3.15mm diameter (not supplied with product).

Refer to Characteristic Loadings Brochure for design values.



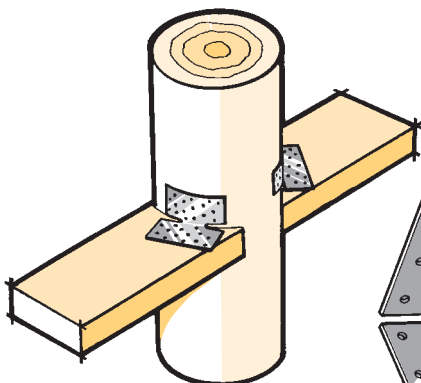
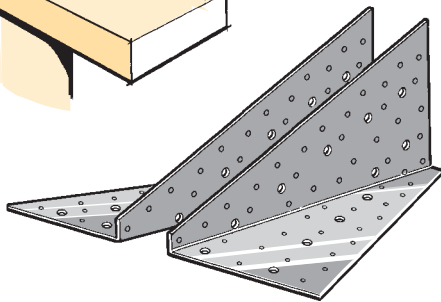
DIAGONAL CLEAT SSN21 (LH or RH)

0.9mm Stainless Steel 304-2B

This diagonally folded Nailon Plate 240mm long, provides a solution for fixing and aligning girts to timber poles.

Can also be used for fixing purlins to rafters in high wind uplift situations, or to provide a strong 90° butt joint for large timber sizes. Fixed with LUMBERLOK Stainless Steel Product Nails 30mm x 3.15mm diameter.

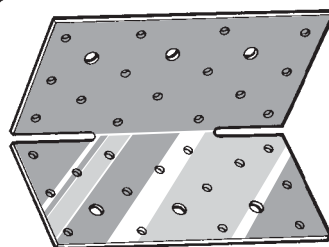
Refer to Characteristic Loadings Brochure for design values.

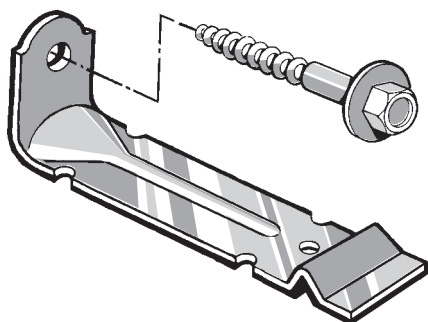


GIRT PLATE

0.9mm Stainless Steel 304-2B

Specifically designed for girt to pole fixing, as per Farm Building Designs. 120mm long Nailon Plate, slit and pre-folded to 90 deg. Fixed with min. 8 x LUMBERLOK Stainless Steel Product Nails 30mm x 3.15mm diameter each face (16/cleat).





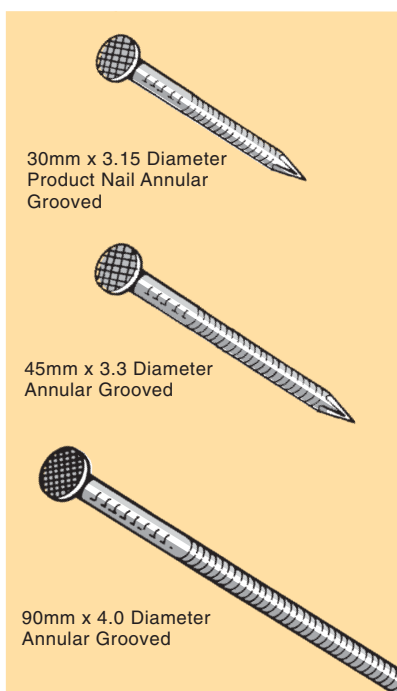
*SCREW TIE

Stainless Steel 316

Meets NZS 3604:2011 and AS/NZS 2699.1:2000. This product is used to tie brick veneer to timber framework using a Type 17-12g x 35mm Hex Head Stainless Steel Screw. The actual 'Tie' is available in 85mm and 105mm lengths to suit various cavity sizes and brick widths.

Suitable for all timber including dry stress graded 90mm x 35mm studs.

Refer to brochure for application data.



30mm x 3.15 Diameter
Product Nail Annular
Grooved

45mm x 3.3 Diameter
Annular Grooved

90mm x 4.0 Diameter
Annular Grooved

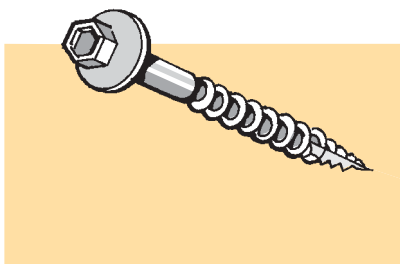
PRODUCT NAILS (ANNULAR GROOVED)

Stainless Steel 316

LUMBERLOK Product Nails 30mm x 3.15mm diameter F.H. (500gm bags)

45mm x 3.3mm diameter F.H. (500gm bags)

90mm x 4.0mm diameter F.H. (1kg bags)



SCREWS

Type 17-12g x 35mm Hex Head Stainless Steel Screws.

Available in bags of 100.